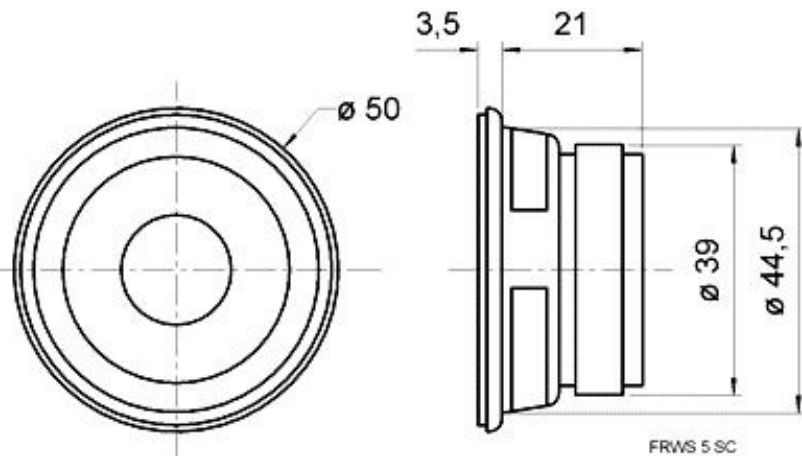


# FRWS5R (#2212)

## Technical Data:

Rated power	2 Watt
Maximum power	5 Watt
Nominal impedance	8 Ohm
Frequency response (-10 dB)	150 - 20000 Hz
Mean sound pressure level	84 dB (1W/1m)
Maximum cone displacement	4 mm
Resonance frequency $f_s$	320 Hz
Magnetic induction	0,75 Tesla
Magnetic flux	65 $\mu$ Weber
Height of front pole-plate	2 mm
Voice coil diameter	14 mm
Height of winding	3 mm
Cutout diameter	45 mm
Net weight	87 g
D.C. resistance $R_{dc}$	6,7 Ohm
Mechanical Q factor $Q_{ms}$	3,17
Electrical Q factor $Q_{es}$	3,2
Total Q factor $Q_{ts}$	1,59
Equivalent volume $V_{as}$	0,12 l
Effective piston area $S_d$	12 cm <sup>2</sup>
Dynamically moved mass $M_{ms}$	0,5 g
Force factor $B \cdot l$	1,4 Tm
Inductance of the voice coil $L$	0,5 mH



FRWS 5 SC  
22.01.04

