

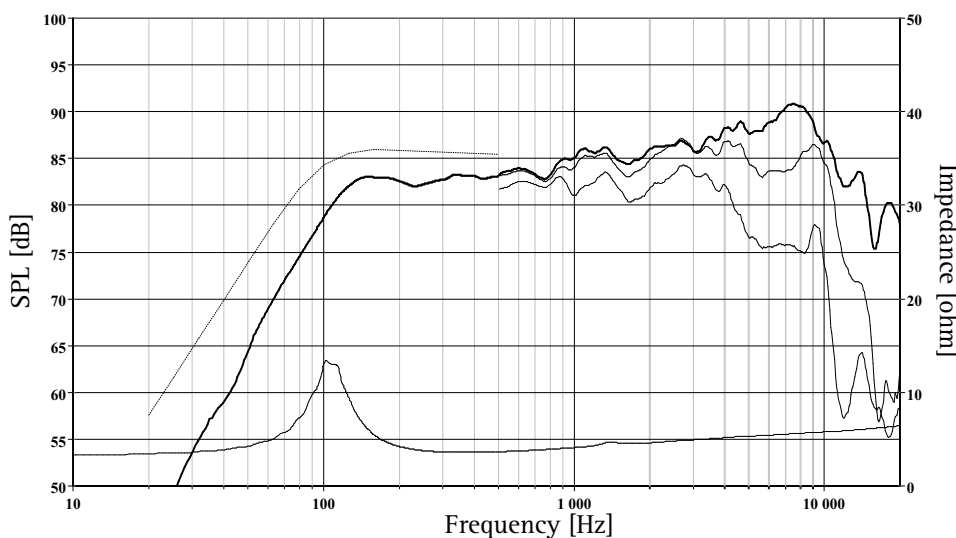
The FU10RB is an 4" full range driver offering an extraordinary performance and sound clarity.

New Curv cone, a woven polypropylene with excellent internal damping together with perfectly matched moving parts gives a smooth, extended frequency response.

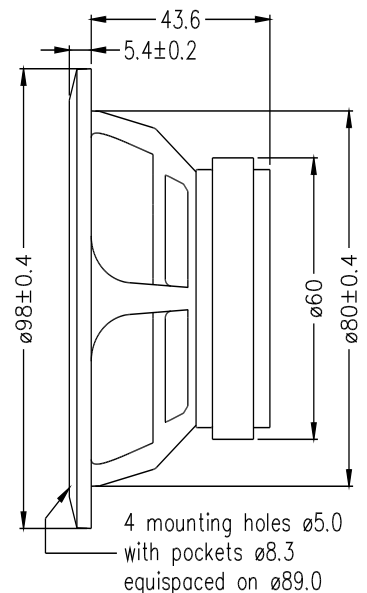
The large, open weave fabric spider reflects very little acoustic energy to the cone, and offers excellent stiffness linearity.

A stiff and stable injection moulded aluminum chassis keeps the critical components in perfect alignment. The pole piece is prolonged forwards and equipped with a deep drawn copper cap to ensure excellent linearity in the force factor and coil inductance.

Small size combined with an excellent performance makes this driver the perfect election for any application where limited space is a critical parameter.



The frequency responses above show measured free field sound pressure in 0, 30, and 60 degrees angle using a 60L closed box. Input 2.83 V_{RMS}, microphone distance 0.5m, normalized to SPL 1m. The dotted line is a calculated response in infinite baffle based on the parameters given for this specific driver. The impedance is measured in free air without baffle using a 2V sine signal.



Nominal Impedance	4 Ohms	Voice Coil Resistance	3.15 Ohms
Recommended Frequency Range	100 - 20000 Hz	Voice Coil Inductance	0.56 mH
Short Term Power Handling *	100 W	Force Factor	3.02 N/A
Long Term Power Handling *	40 W	Free Air Resonance	102.5 Hz
Characteristic Sensitivity (2,83V, 1m)	85.4 dB	Moving Mass	4.5 g
Voice Coil Diameter	19 mm	Air Load Mass In IEC Baffle	0.14 g
Voice Coil Height	8 mm	Suspension Compliance	0.5 mm/N
Air Gap Height	4 mm	Suspension Mechanical Resistance	0.99 Ns/m
Linear Coil Travel (p-p)	4 mm	Effective Piston Area	38.5 cm ²
Maximum Coil Travel (p-p)	7.9 mm	VAS	1 Litres
Magnetic Gap Flux Density	0.9 T	QMS	3.56
Magnet Weight	0.09 kg	QES	1
Total Weight	0.36 kg	QTS	0.78