

# Fostex®

# FW800HS

## Features

- FW800HS is the large diameter super woofer for the ultra low frequency reproduction.
- Its hi-rigid diaphragm consists in the radial paper making technique and whizzy hybrid material realizes the ultra low sound reproduction, people have never experienced.
- FW800HS also employs the following specialized parts for the realistic low sound reproduction.
  - Highly durable diaphragm & cap
  - High input 4-layers voice coil
  - Large aluminum die-cast heat sink
  - Push-pull double spider
- FW800HS's acoustic parameter is tuned can be worked with the smaller enclosure - 500 liter.



## Specifications

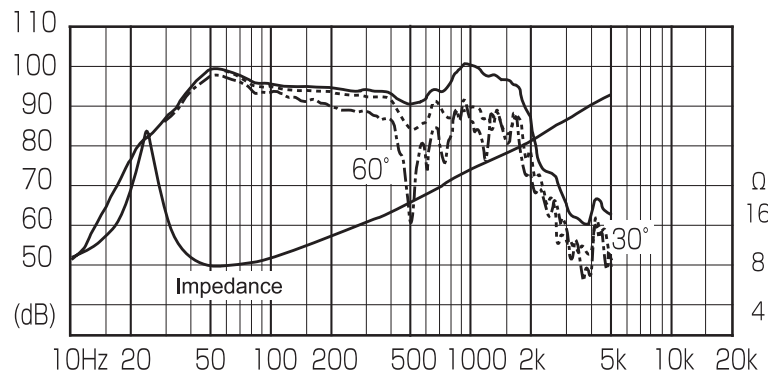
&

### Thiele/Small Parameters

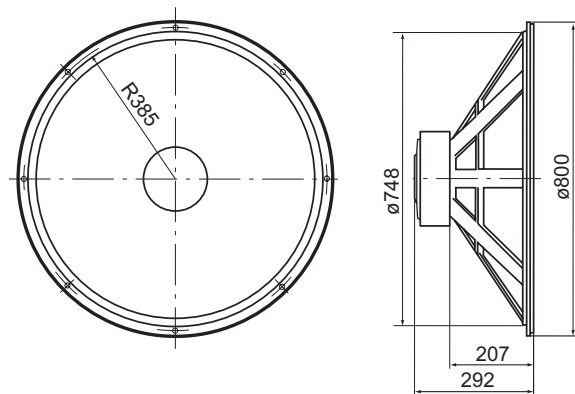
Size	:	800 mm / 31.5 in
Voice Coil Diameter	:	99.2 mm / 3.90 in
Cast / Stamped	:	Cast
Impedance	:	8 Ω
Reproduction Frequency Response	:	fs - 1.5 kHz
Sound Pressure Level	:	96 dB/W(m)
Rated Input	:	150W
Music Power	:	450W
Magnet Material	:	Ferrite
Magnet Weight	:	2,010 g / 4.431 lb
Net Weight	:	21,000 g / 46.29 lb

a	:	357.5 mm
D	:	715 mm
Sd	:	0.4015 m <sup>2</sup>
Zn	:	8 Ω
Fs	:	25 Hz
Re	:	6.6 Ω
Le	:	0.163 mH
Qms	:	19.22
Qes	:	0.71
Qts	:	0.69
Mms	:	629 g
BL	:	30.25 Telsa/m
Vas	:	1,473 L
Xmax	:	2.3 mm
Eff/η0	:	2.87 %
Cms	:	0.0644 mm/N
EBP	:	35.211

## Frequency Response / Impedance

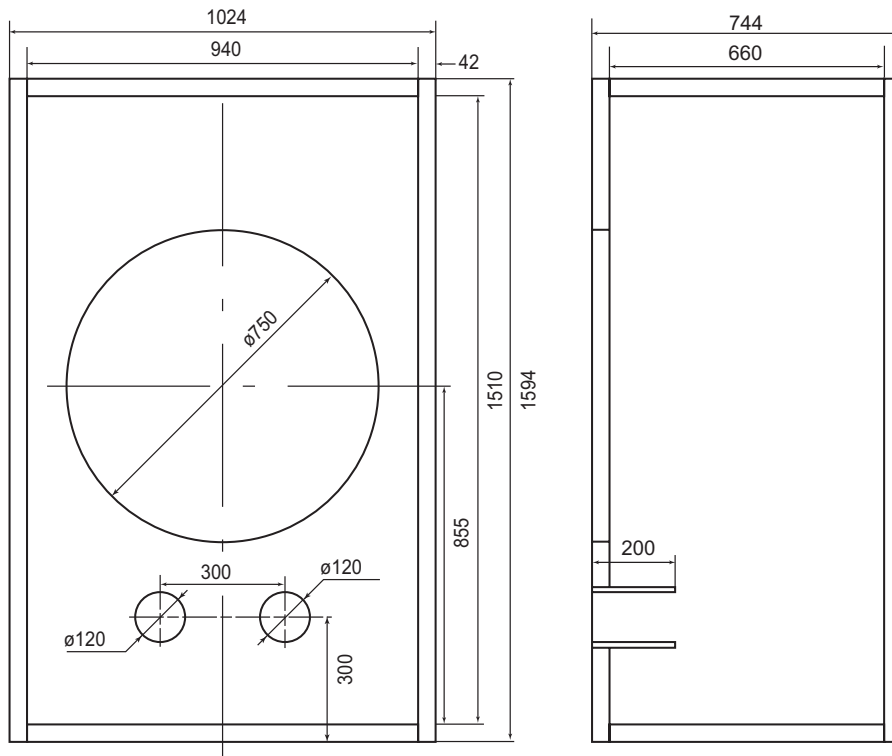


## Dimensions & Mounting Information



Overall Diameter	:	800 mm / 31.5 in
Baffle Hole Diameter	:	748 mm / 29.5 in
Depth	:	291 mm / 11.4 in

# Recommended Bass Reflex Type Enclosure



Recommended bass reflex type enclosure is 500L to 800L volume. The shown drawing's bass reflex port is tuned 'Fb' to 16Hz.

## Accessories

### CS series film capacitors

High-grade compact capacitors with  $\phi 1.6$ mm copper lead.



Tolerance range : +/-5%  
 Dissipation : less than 2.5%(@1kHz)  
 Working Voltage : 240VDC/120VAC  
 Insulating resist : more than 1000M $\square$   
 Operating temp. : -20° to +60°  
 Lead length : more than 70mm

CS0.33 (0.33 $\mu$ F) CS1.5 (1.5 $\mu$ F)  
 CS0.47 (0.47 $\mu$ F) CS2.2 (2.2 $\mu$ F)  
 CS0.68 (0.68 $\mu$ F) CS3.3 (3.3 $\mu$ F)  
 CS1.0 (1.0 $\mu$ F)

### CT series film capacitors

Metalized polyester capacitors with  $\phi 0.8$ mm silver-alloy copper lead.



Tolerance range : +/-5%  
 Dissipation : less than 0.1%(@1kHz)  
 Working Voltage : 500VDC/200VAC  
 Insulating resist : more than 1000M $\square$   
 Operating temp. : -20° to +60°  
 Lead length : more than 40mm

CT0.47 (0.47 $\mu$ F) CT3.3 (3.3 $\mu$ F)  
 CT0.68 (0.68 $\mu$ F) CT4.7 (4.7 $\mu$ F)  
 CT1.0 (1.0 $\mu$ F) CT6.8 (6.8 $\mu$ F)  
 CT1.5 (1.5 $\mu$ F) CT10 (10 $\mu$ F)  
 CT2.2 (2.2 $\mu$ F) CT15 (15 $\mu$ F)

### CP series film capacitors

High cost performance film capacitors.



Tolerance range : +10%/ -5%  
 Dissipation : less than 0.2%  
 Working Voltage : 250VAC  
 Insulating resist : more than 2000M $\square$   
 Operating temp. : -25° to +85°  
 Lead length : more than 105mm

CP1.0 (1.0 $\mu$ F) CP6.8 (6.8 $\mu$ F)  
 CP1.5 (1.5 $\mu$ F) CP10 (10 $\mu$ F)  
 CP2.2 (2.2 $\mu$ F) CP15 (15 $\mu$ F)  
 CP3.3 (3.3 $\mu$ F) CP20 (20 $\mu$ F)  
 CP4.7 (4.7 $\mu$ F)

### Grills



K308 8cm, square frame  
 K312 12cm, square frame  
 KG810 10cm, square/round frame  
 KG816 16cm, square/round frame  
 KG820 20cm, square/round frame

### L series air core inductors

Conventional type air core inductors with less DC resistance.



L0.18 (0.18mH)  
 L0.3 (0.3mH)  
 L0.5 (0.5mH)  
 L1.0 (1.0mH)  
 L1.5 (1.5mH)  
 L1.8 (1.8mH)  
 L2.2 (2.2mH)  
 L2.8 (2.8mH)  
 L3.5 (3.5mH)

### LS series air core inductors

High-grade inductors employing 'Hi- $\mu$  core' with less DC resistance and low distortion.



LS0.15 (0.15mH)  
 LS0.22 (0.22mH)  
 LS0.33 (0.33mH)  
 LS0.47 (0.47mH)  
 LS0.68 (0.68mH)  
 LS1.0 (1.0mH)  
 LS1.5 (1.5mH)  
 L2.2 (2.2mH)

### Attenuators



High-input resistant attenuator-R80B, and coaxial version-R82B. 1dB step level adjustable high-grade trans-type, R100T.

### P-30 brass tweeter stand

P-30 is the tweeter stand made of brass, which minimizes unwanted resonance and improves high frequency sound.



### P16 HP sound reflector

HP sound reflector eliminates the standing waves in enclosure. HP's 3rd-order curved surface structure is ideal form and strength to extinguish naturally the standing waves by making sound reflected diffusely.

**Fostex**

Distributor / Authorised Dealer

[www.fostex.jp](http://www.fostex.jp)

Fostex Co., 3-2-35 Musashino, Akishima, Tokyo, Japan 196-0021  
 Tel: +81 (0)42-546-4974 Fax: +81 (0)42-546-9222

In accordance with our policy of continuous development, we reserve the right to change specifications without notice.

Printed in China