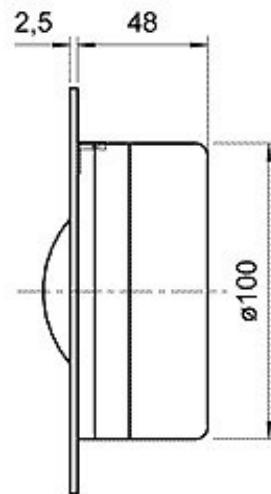
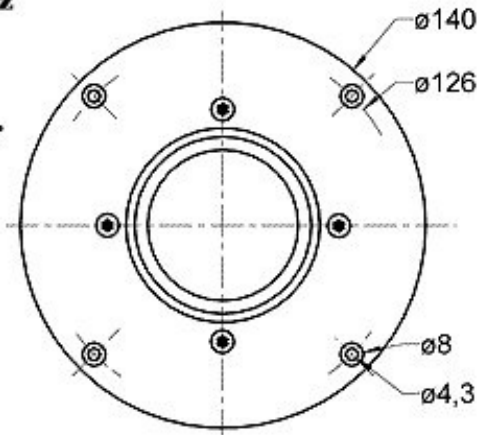


Nominal power handling 120 W
Impedance 8 Ohms
Frequency response 0.4 - 10 KHz
Efficiency 90 dB
Resonant frequency 0.7 KHz
Magnetic induction 1.4 Telsa
Magnetic flux 330 uWeber
Voice coil diameter 50 mm
Net weight 1.26 Kg



G 50 FFL
08.01.01

