

Model No: GBS-85N25PR03-04
 Product Line: Peerless

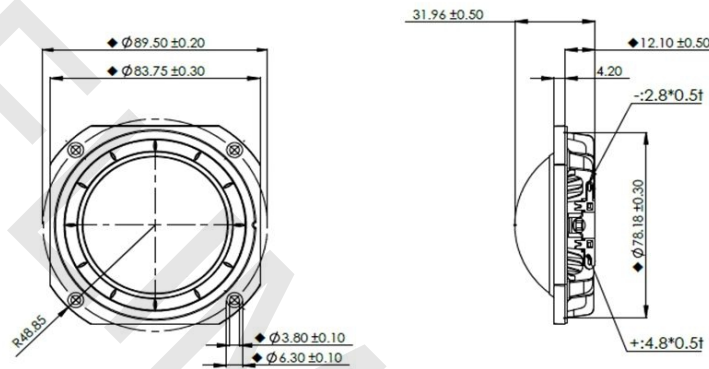
Rev: 2
 Last Update: 2016-03-10 21:04:39

Product Description

This 3.5 inch 4ohm transducer member of the GBS family provides a very slim woofer capable of large excursion. A highly optimized Neo magnets and unique suspension layout combine to give a cost effective solution in a previously unavailable package.



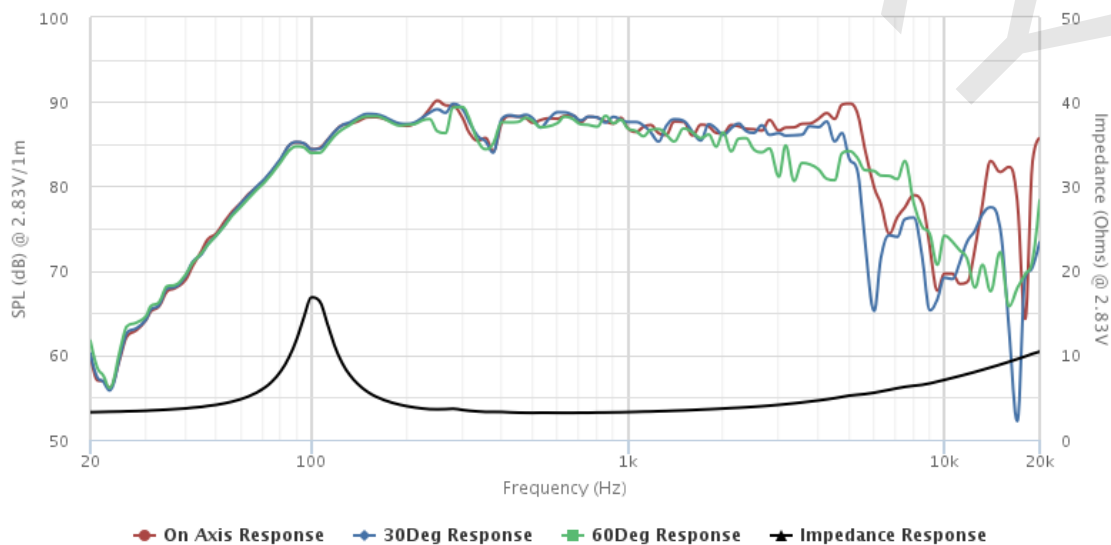
Mechanical Drawing



Specifications

DC Resistance	Revc	Ohms	3.2	5.0%	Energy Bandwidth Product	EBP	(1/Qes)*fs
Minimum Impedance	Zmin	Ohms	3.19	7.5%	Moving Mass	Mms	g
Voice Coil Inductance	Le	mH	0.07		Suspension Compliance	Cms	um/N
Resonant Frequency	Fs	Hz	113.45	15%	Effective Cone diameter	D	cm
Mechanical Q Factor	Qms		5.09		Effective Piston Area	Sd	cm^2
Electrical Q Factor	Qes		0.93		Effective Volume	Vas	L
Total Q Factor	Qts		0.79		Motor Force Factor	BL	Tm
Ratio Fs/Qts	F	Fs/Qts	143.97		Motor Efficiency Factor	β	(T*M^2)/Ohms
Half Space Sensitivity @2.83V	db@2.83V/1M	dB	88.07	+/- 1.0db	Voice coil former Material	VCfm	mm
Half Space Sensitivity @1W/1M	db@1W/1M	dB	84.1	+/- 1.0db	Voice coil inner diameter	VCd	mm
Gap Height	Gh	mm	3		Rated Noise Power	P	W
Maximum Linear Excursion	Xmax	mm	7.6		Test Spectrum Bandwidth		40Hz - 3KHz
Ferrofluid Type	FF		Na		Transducer Size	Inch	3.5 in
Transducer Mass	Kg		0.13				

Frequency and Impedance Response



Highcharts.com