

Model Number: H25TG05-04
Product Line: Peerless Silver

Revision: Rev 2
Date: 18-Aug-14

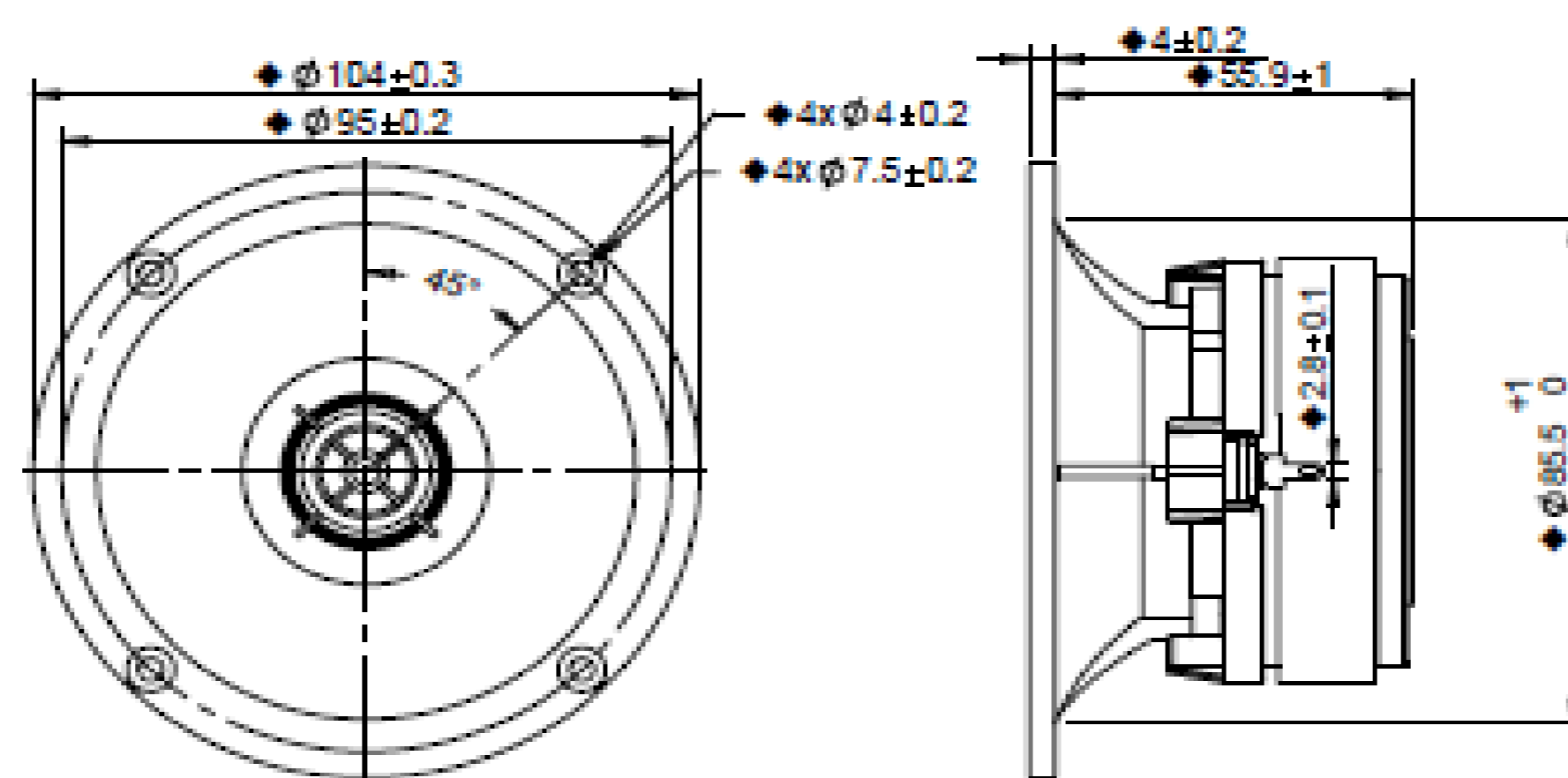


Product Description:

This is a 1 inch 4 Ω transducer, member of the H family. This family design features a treated Ti dome, and a ferrofluid cooled motor. The large motor allow for robust power handling capacity. The tweeter comes with a faceplate with recessed mounting holes, for easy installation into the desired application. The faceplate has a horn geometry for increased sensitivity.



Mechanical 2D Drawing:



Specifications:

DC Resistance	R_{exc}	Ω	3.7	±7.5%	Energy Bandwidth Product	EBP	$(1/Q_{\text{es}}) \cdot f_s$	653
Minimum Impedance	Z_{min}	Ω	4.5	±7.5%	Moving Mass	M_{ms}	g	0.36
Voice Coil Inductance	L_e	mH	0.01		Suspension Compliance	C_{ms}	um/N	23.5
Resonant Frequency	f_s	Hz	1740	±20%	Effective Cone Diameter	D	cm	2.6
Mechanical Q Factor	Q_{ms}	-	4.2		Effective Piston Area	S_D	cm ²	5.2
Electrical Q Factor	Q_{es}	-	2.66		Equivalent Volume	V_{as}	L	0.001
Total Q Factor	Q_{ts}	-	1.63		Motor Force Factor	BL	T·m	2.33
Ratio f_s / Q_{ts}	F	f_s / Q_{ts}	1065		Motor Efficiency Factor	β	$(\text{T} \cdot \text{m}^2) / \Omega$	1.46
Half Space Sensitivity @ 2.83V	dB@2.83V/1m	dB	100.6	±1.0 ¹	Voice Coil Former Material	VC_{fm}	-	KSV
Sensitivity @ 1W/1m	1W/1m	dB	97.2	±1.0 ¹	Voice Coil Inner Diameter	VC_{di}	mm	25.40
Rated Noise Power (IEC 2685 18.1)	P	W	150		Gap Height	Gh	mm	3.00
Test Spectrum Bandwidth	2KHz-20KHz	12 dB/Oct			Maximum Linear Excursion	X_{max}	mm	0.90
					Ferrofluid Type	FF	-	N/A
					Transducer Size	-	-	25 mm
					Transducer Mass	-	-	Kg 0.560

1 - Piston Band Sensitivity Tolerance

Frequency and Impedance Response:

