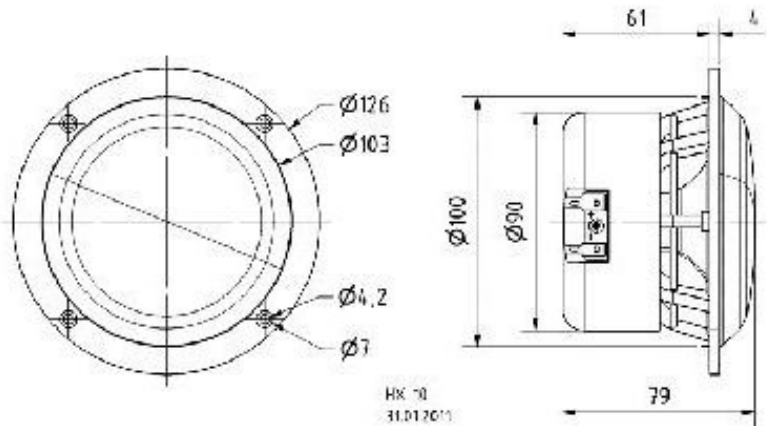


**Technical Data:**

Rated power	40 W
Maximum power	60 W
Nominal impedance Z	4 Ohm
Frequency response	fu-20000 Hz
(fu: Lower cut-off frequency depending on cabinet)	
Mean sound pressure level	81 dB (1 W/1 m)
Maximum linear displacement	+/-1,5 mm
Resonance frequency fs	70 Hz
Magnetic induction	1,1 T
Magnetic flux	346 μWb
Height of front pole-plate	4 mm
Voice coil diameter	25 mm
Height of winding	7 mm
Cutout diameter	101 mm
Net weight	0,52 kg
D.C. resistance Rdc	4,3 Ohm
Mechanical Q factor Qms	2,87
Electrical Q factor Qes	0,61
Total Q factor Qts	0,50
Equivalent volume Vas	5,1 l
Effective piston area Sd	55 cm²
Dynamically moved mass Mms	4,3 g
Force factor Bxl	3,9 Tm
Turn-over frequency	4300 Hz
Connections	4,8 x 0,8 mm (+) 2,8 x 0,8 mm (-)
Temperature range	-25 ... 70 °C



**VISATON HX 10 - 4 Ohm**

Frequenzgang (1W/1m) und Impedanzverlauf

