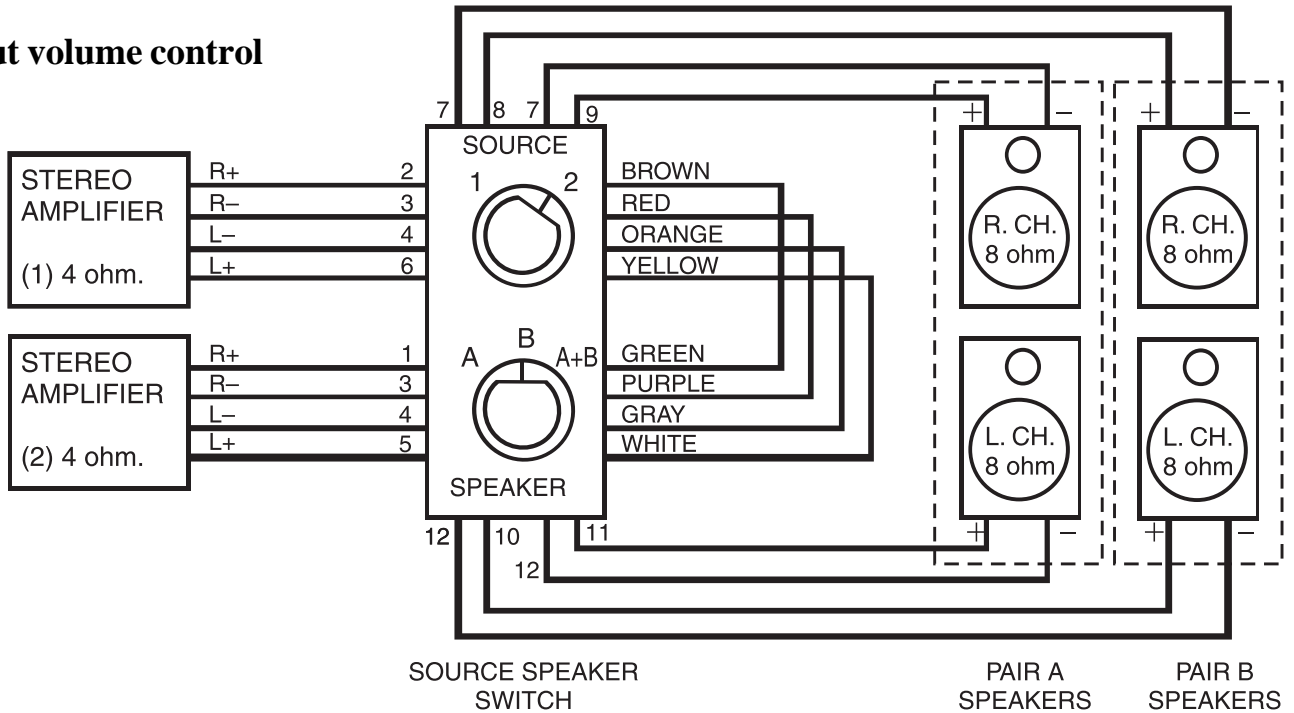


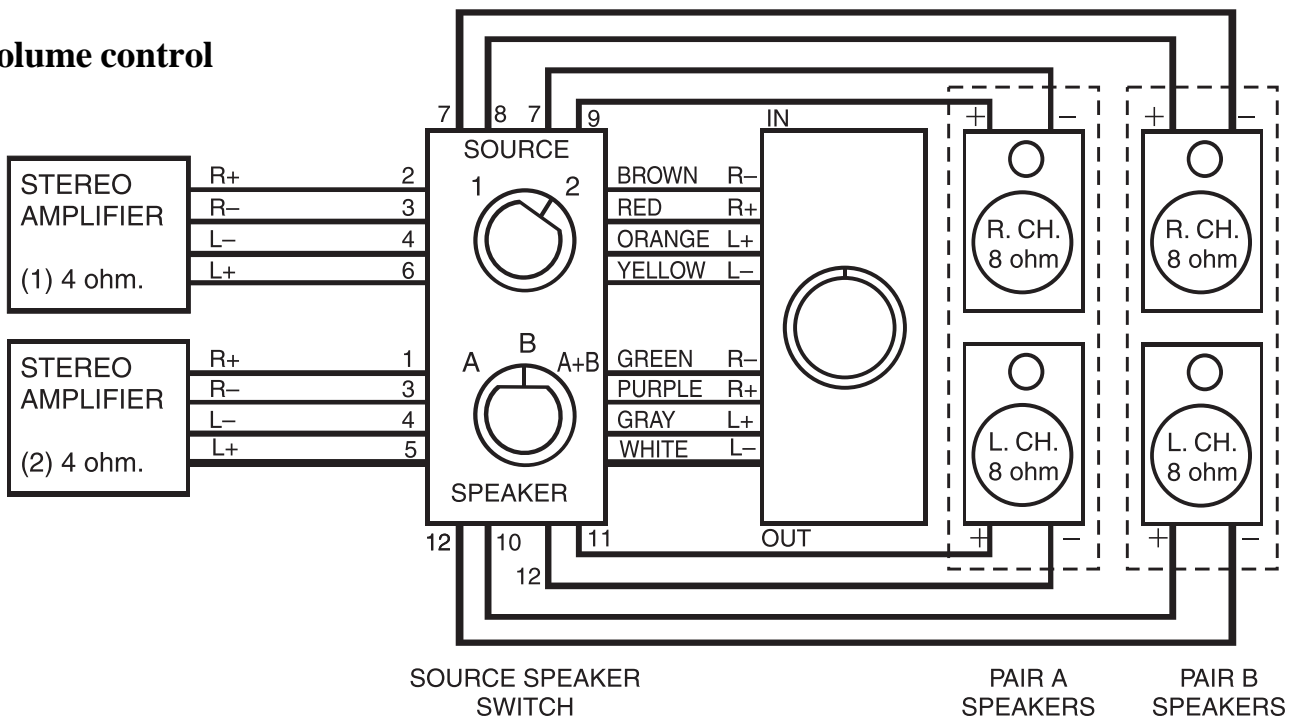


BLOCK WIRING DIAGRAM 2S-SS

1. Without volume control



2. With volume control



- Volume control should be auto transformer type control (SVC-W, SVC-I, RVC-W, RVC-1).
- The use of 8 ohm speakers is recommended. When "A+B" is selected, the net load to amplifier is 4 ohms.