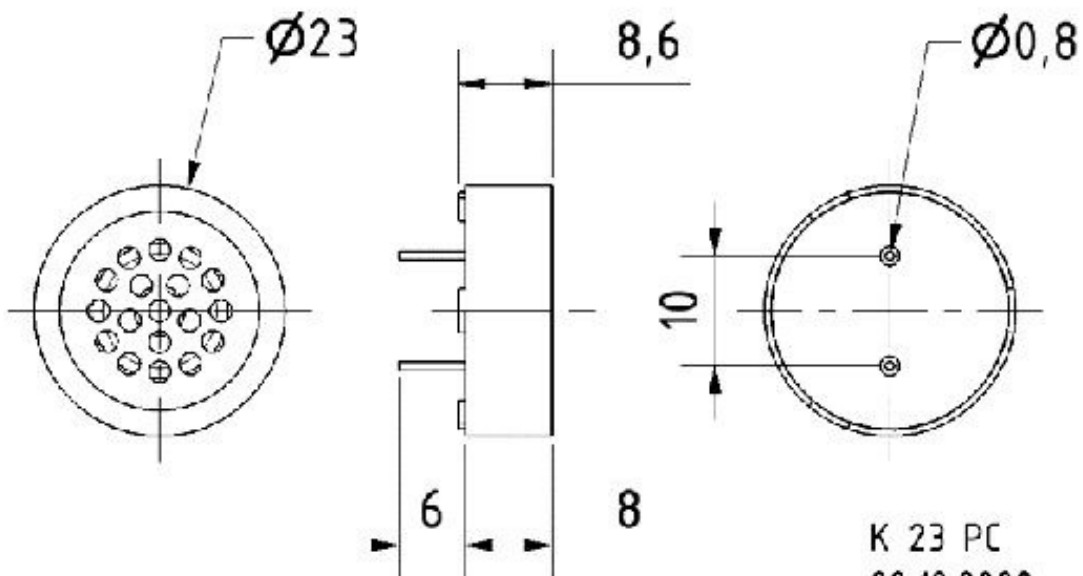


K23PC (#2823)

Technical Data:

Rated power	0,2 W
Maximum power	0,5 W
Nominal impedance Z	8 Ohm
Frequency response	900–16000 Hz
Mean sound pressure level	73 dB (1 W/1 m)
Resonance frequency fs	1740 Hz
Voice coil diameter	8 mm
Height of winding	1,5 mm
Net weight	0,003 kg
Wire spacing	10 mm
Connections	0,8 mm



K 23 PC
22.12.2009

Visaton K 23 PC - 8 Ohm

Frequenzgang und Impedanz

