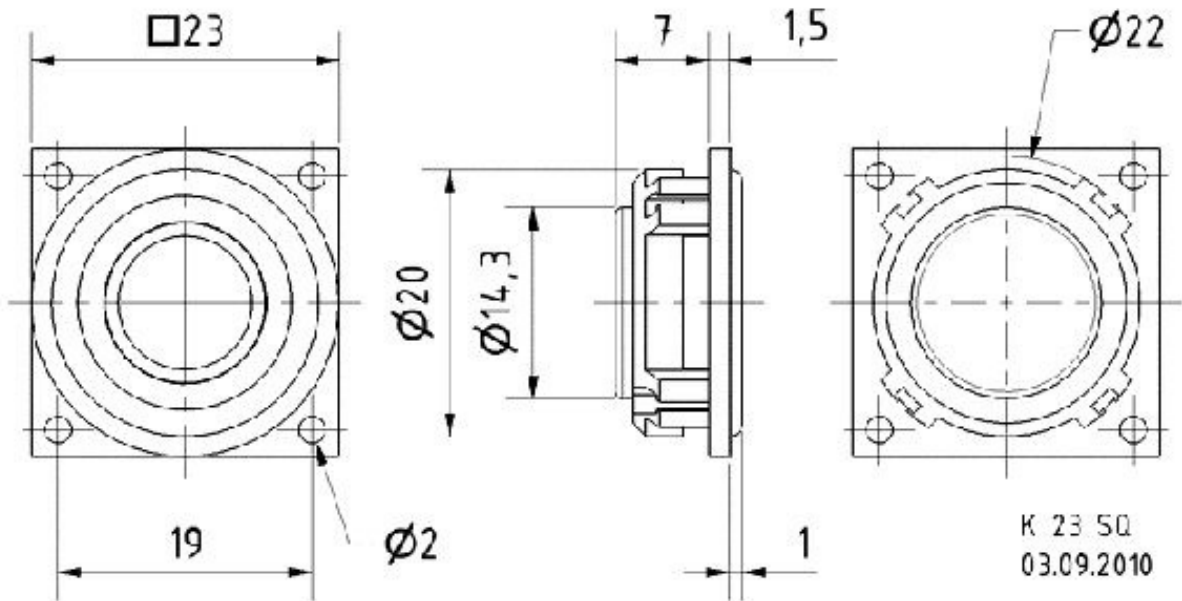


Technical Data:

Rated power	0,5 W
Maximum power	1 W
Nominal impedance Z	8 Ohm
Frequency response	300–19000 Hz
Mean sound pressure level	74 dB (1 W/1 m)
Resonance frequency fs	530 Hz
Voice coil diameter	12 mm
Height of winding	1,5 mm
Cutout diameter	22,5 mm
Net weight	0,005 kg



Visaton K 23 SQ - 8 Ohm
Frequenzgang und Impedanz

