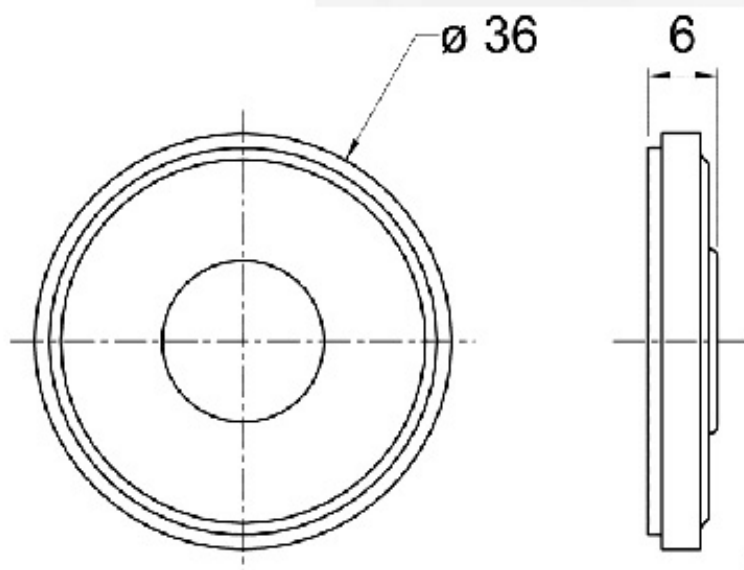


Technical Data:

Rated power	1 W
Maximum power	2 W
Nominal impedance Z	8 Ohm
Frequency response	300–20000 Hz
Mean sound pressure level	77 dB (1 W/1 m)
Resonance frequency fs	550 Hz
Voice coil diameter	10 mm
Height of winding	2 mm
Cutout diameter	31 mm
Net weight	0,006 kg
Protective system	IP 65
Heat resistance	-40 ... 70 °C



K 36 WP
17.04.07

Visaton K 36 WP

Frequenzgang und Impedanz

