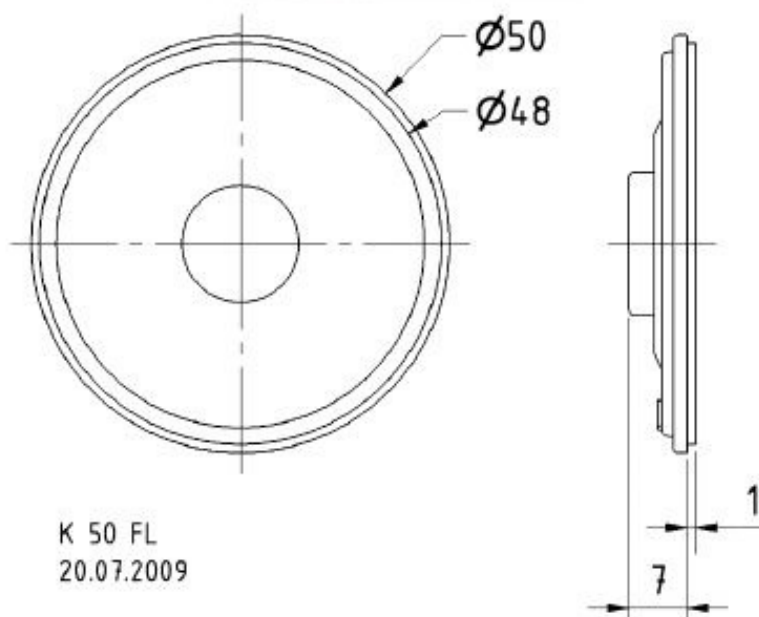


# K50FL (#2950)

## Technical Data:

Rated power	1 W
Maximum power	2 W
Nominal impedance Z	50 Ohm
Frequency response	150–20000 Hz
Mean sound pressure level	80 dB (1 W/1 m)
Resonance frequency fs	340 Hz
Voice coil diameter	13 mm
Height of winding	2 mm
Cutout diameter	46 mm
Net weight	0,014 kg
Protective system	IP 65 *)
Temperature range	-40 ... 70 °C



### Visaton K 50 FL - 50 Ohm

Frequenzgang und Impedanz

