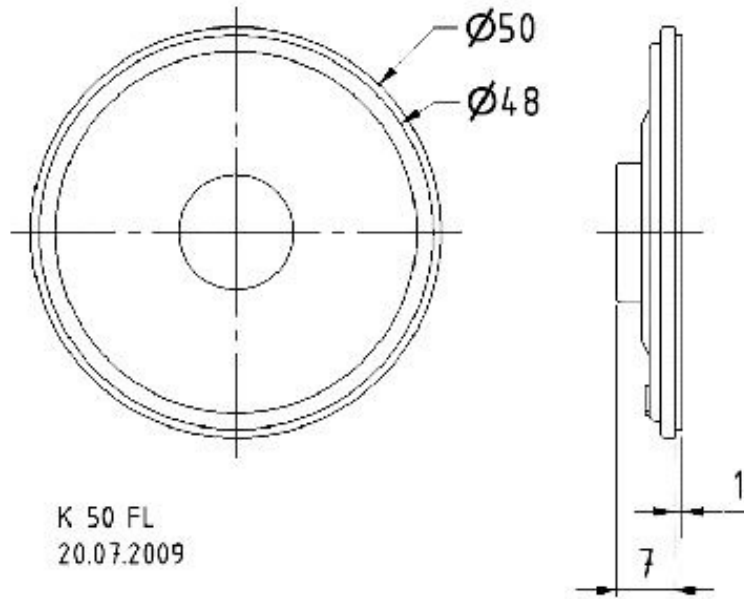


Technical Data:

Rated power	1 W
Maximum power	2 W
Nominal impedance Z	8 Ohm
Frequency response	150–20000 Hz
Mean sound pressure level	80 dB (1 W/1 m)
Resonance frequency f_s	340 Hz
Voice coil diameter	13 mm
Height of winding	2 mm
Cutout diameter	46 mm
Net weight	0,014 kg
Protective system	IP 65 *)
Temperature range	-40 ... 70 °C



K 50 FL
20.07.2009

Visaton K 50 FL - 8 Ohm

Frequenzgang und Impedanz

