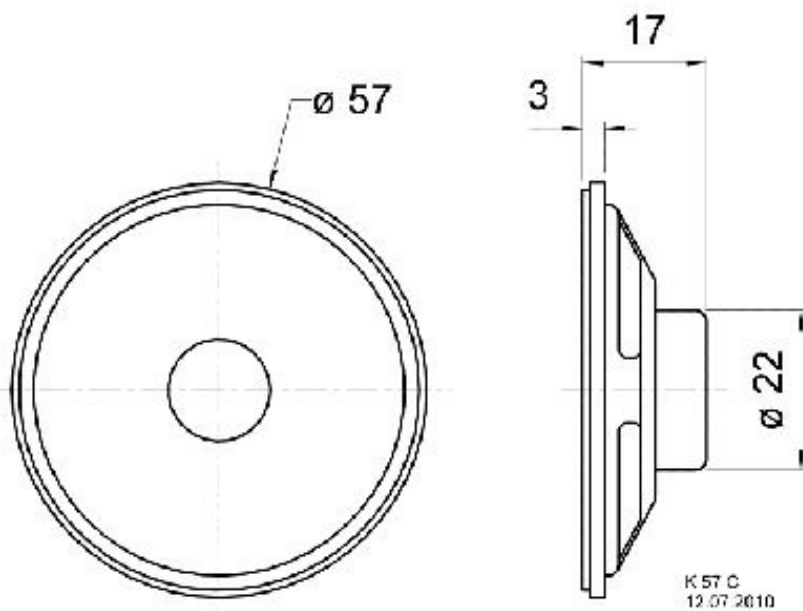
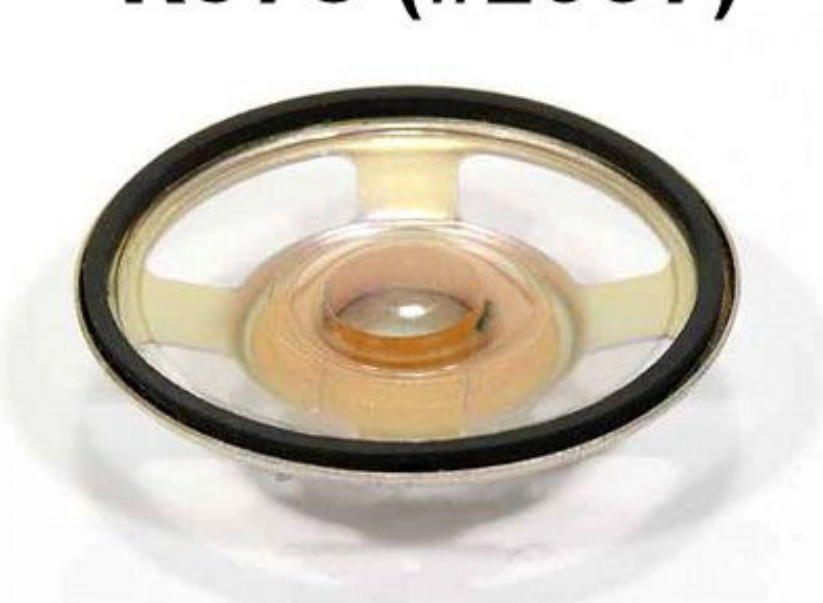


Technical Data:

Rated power	2 W
Maximum power	3 W
Nominal impedance Z	8 Ohm
Frequency response	350–6800 Hz
Mean sound pressure level	87 dB (1 W/1 m)
Resonance frequency fs	550 Hz
Net weight	0,031 kg
Connections	2,8 x 0,3 mm (Lötösen/solder lugs)
Protective system	IP 65 *
Temperature range	-25 ... 70 °C



Visaton K 57 C - 8 Ohm

Frequenzgang und Impedanz

