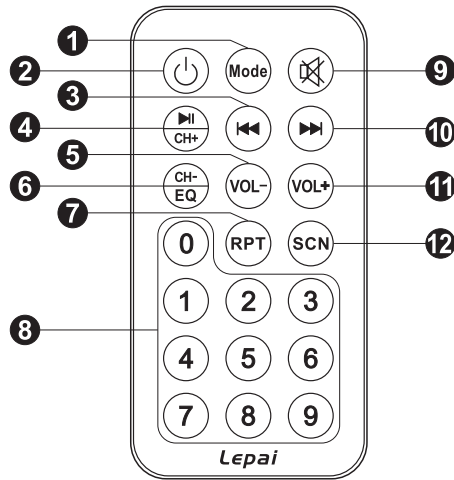


Using the Remote Control

1. Mode Switching
2. Power On/Off
3. Previous
4. Pause/Play and Channel Up
5. Volume Down
6. Switch Equalizer and Channel Down
7. Repeat Key
8. Numeric Keypad
9. Mute Volume
10. Next
11. Volume Up
12. Scan FM



Lepai®

Main Specifications:

1. FM Tuner

MODEL NO.	TEST SPEC	FM CONDITION
LP-269FS	TUNED RANGE	87.5 MHz - 108 MHz
	ANTENNA TERMINATION	OUTSIDE ANTENNA CONNECTION
	PRACTICAL SENSITIVITY	16 dB
	SNR	60 dB
	SEPARATION DEGREE	39 dB

2. Amplifier

Input Voltage:	DC12-14.4V 2-5A (current dictates performance)
Output Power:	45W×4 Channels
Load Impedance:	2-8Ω
Total Harmonic Distortion:	<1%
SNR:	>80dB
Frequency Range:	20 Hz - 20 KHz
Input Impedance:	47K
Bluetooth Version:	2.1

LP-269FS OPERATING MANUAL

Lepai®

Lepai® is a registered trademark of parts-express.com

**PARTS
EXPRESS**
YOUR ELECTRONICS CONNECTION

Before operating, please read this manual completely.

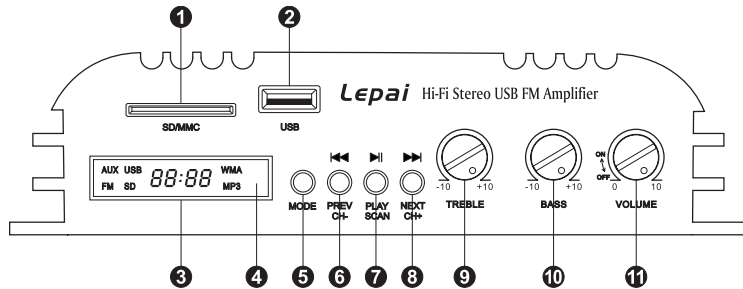
Features:

- SD/MMC/USB play function
- High performance FM electronic tuner
- Electronic volume control
- RCA input and output
- Station Presets: 30 radio stations can be preset in FM radio mode
- Input voltage DC 12V
- Infrared remote control
- Bright illuminated display
- 4-channel sound output
- The Bluetooth Hi-Fi wireless connection uses a 2.1 Bluetooth module, ensuring high-quality audio transmission.

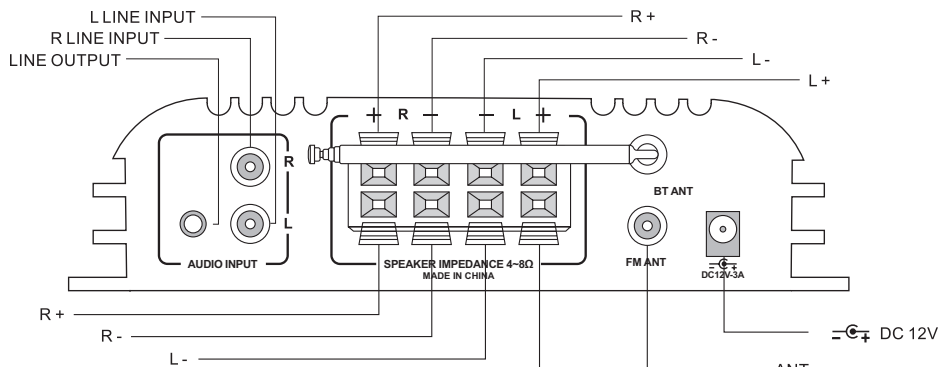
Panel function diagram: (Long press means press and hold button)

	PRESS	LONG PRESS		PRESS	LONG PRESS
1	SD/MMC SOCKET	-	7	PLAY/PAUSE/SCAN	-
2	USB SOCKET	-	8	NEXT CHANNEL	VOLUME UP
3	DISPLAY SCREEN	-	9	TREBLE	-
4	REMOTE CONTROL RECEIVER	10	BASS	-	-
5	MODE SWAPPING	-	11	VOLUME/POWER	-
6	PREV CHANNEL	VOLUME DOWN			

Front Panel:



Back Panel:



Basic Operations:

Power ON: To power ON, switch volume control clockwise. To power OFF, switch volume control counterclockwise. To power OFF/ON via the remote, use the key "⊕" found on the remote control.

- 1. Power ON/OFF Operation:** The default status is AUX when initially power on; under status without disconnecting power, it will restore automatically to the mode of operation prior to shutdown, such as USB, SD/MMC, AUX or FM.
- 2. Volume Control:** Switch volume knob clockwise or counterclockwise to get suitable volume, it also can be operated by pressing key +or- on remote control.
- 3. Tone Control:** Switch TREBLE knob and BASS knob clockwise or counterclockwise to change the range.
- 4. Mute Operation:** Slightly press the key "⊗" on remote control to control silence.
- 5. Pause/Play Operation:** Slightly press the key "PLAY/SCAN" to control pause and play.
- 6. Musical Selection:** Press "PREV/CH-" key or "NEXT/CH+" key forwards or backwards to choose music, It also can be operated through the number keys found on your remote control.
- 7. Repeat Song:** Slightly press the key "RPT" on remote control to repeat songs.
- 8. Mode Swapping:** When USB, SD/MMC are plugged into the amplifier, the mode can be changed by pressing "MODE" key . The sequence is: USB > SD/MMC > AUX > FM > Bluetooth.
- 9. AUX Operation:** Press "MODE" key to get into AUX status, then plug your external audio source into the RCA inputs. Under "AUX" status, you can swap to another mode by pressing "MODE", such as Bluetooth or FM radio or by plugging in a USB or SD/MMC card.
- 10. Band Equalizer:** Under status of USB or SD/MMC, Repeat "EQ" key on your remote control to rotate the equalizer. The swapping sequence is: POP > CLASSIC > JAZZ > ROCK.
- 11. Radio Operation:** In FM operation, slightly press "NEXT/CH+" key or "SCN" key on the remote control to get into automatic search. When search is finished, the amplifier will be set to channel 1 and play automatically, change different channels by pressing "CH+" or "CH-".
- 12. AUX Operation:** Press the "MODE" key to get into AUX status, then plug an external audio source into RCA inputs.
- 13. Radio Operation:** In FM operation, slightly press "NEXT/CH+" key or "SCN" to get into automatic search. When the search is finished, the amplifier will be set at channel 1 and play automatically, press "CH+" or "CH-" to change to a different channel.