

LPO Type I & Type II SERIES

electrolytic capacitors for power supplies

by ELNA

- **GENERAL INFORMATION**

Type	: Electrolytic Capacitor.
Dielectric	: Aluminum Oxide on Anode Foil.
Construction	: Round Tubular Type Metal Can, Radial Leads.
Coating	: Black Vinyl Tube Wrapped.
Electrodes	: Paper Electrolyte on Cathode Foil.
Leads	: Tinned Pure Copper.

- **TECHNICAL DATA**

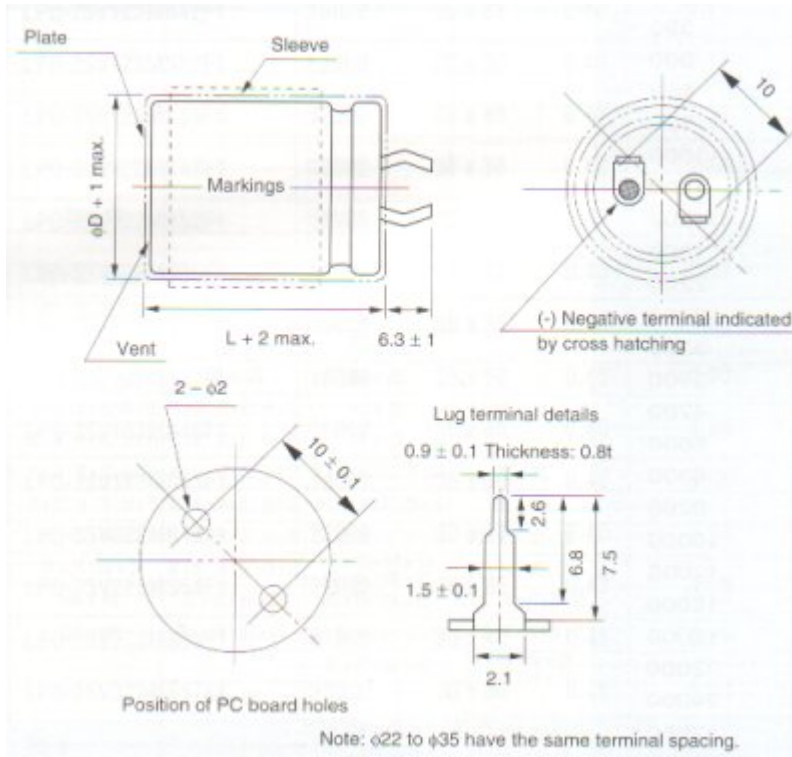
Capacitance Range	: 270 ... 10000 μ F, , \pm 20 %. (see specifications for details))
Dielectric Constant	: 7 er, polar dielectric.
Dielectric Absorption Factor	: Less than 5 % @ 20° C.
Equivalent Series Resistance	: Low (see specifications for details)
Self Inductance	: Low
Dissipation Factor	: Low (see specifications for details)
Temperature Range	: -40° C to +85° C.
Test Voltage	: 1.5 x Vr for 2 sec.
Rated Voltage	: 100 VDC.
Lug Terminals Dimensions	: (see specifications for details)

- **FEATURE**

High Quality Sound with a very high response due to a formation method newly developed for audio applications.
Low Loss.
Good Current Capacity.
High Frequency and Temperature Stability.
Good Long Term Mechanical Reliability

- **ELECTRICAL PERFORMANCE**

Low Dielectric Absorption Factor.
Low Equivalent Series Resistance
Low Self Inductance.
Low Dissipation Factor.
High Insulation Resistance.



Dissipation Factor (%) +20%
 Dimensions (mm)+5%

LPO Type I 100Vdc.
 LPO Type II 100Vdc, 80Vdc, 71Vdc & 63Vdc.

P/N	Capacitance/DF	VDC	D x L
LPO27000	270 mfd .03	100	22 x 20
LPO33000	330 mfd .03	100	25 x 20
LPO68000	680 mfd .03	100	22 x 35
LPO100000	1000 mfd .03	100	22 x 45
LPO220000	2200 mfd .03	100	30 x 50
LPO330000	3300 mfd .03	100	35 x 50
LPO470000	4700 mfd .03	100	35 x 50
LPO560000	5600 mfd .03	80	35 x 45
LPO680000	6800 mfd .03	80	35 x 50
LPO820000	8200 mfd .03	71	35 x 50
LPO1000000	10000 mfd .03	63	35 x 50