

The M15CH002 is a 15cm (5") cone midrange driver capable of a most neutral, transparent sound reproduction. The low distortion and noise generated by this driver set a new standard for midrange units.

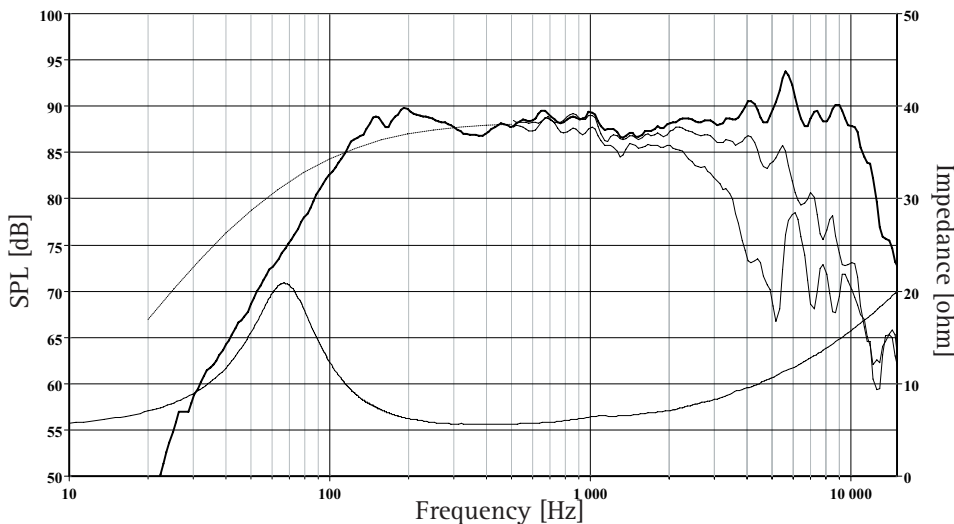
A paper cone with a unique Nextel coating ensures smooth frequency response and low distortion resulting in low coloration in the critical midband.

Patented HEXADYM magnet system of acoustically transparent design to avoid cavity resonances and air flow noise. The magnet system based on 6 small, radially magnetized neodymium blocks is compact in order to reduce the reflexion of sound energy to a minimum.

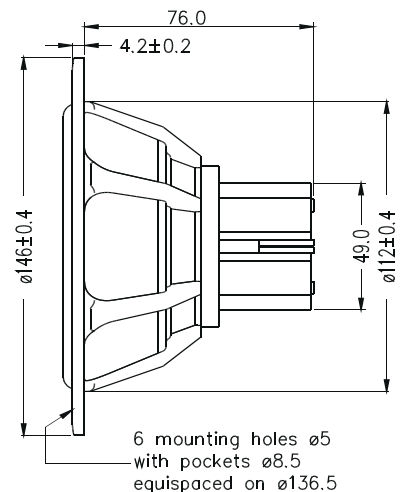
Heavy copper rings mounted above and below the T-shaped pole piece to reduce non linear and modulation distortion and to increase overload margin.

A solid copper phase plug to enhance the performance of the copper rings and improve heat conduction away from the pole piece.

An extremely stiff and stable injection moulded metal basket to keep the critical components in perfect alignment. Large windows in the basket both above and below the spider to reduce sound reflexion, air flow noise and cavity resonance to a minimum.



The frequency responses above show measured free field sound pressure in 0, 30, and 60 degrees angle using a 7L closed box. Input 2.83 V_{RMS}, microphone distance 0.5m, normalized to SPL 1m. The dotted line is a calculated response in infinite baffle based on the parameters given for this specific driver. The impedance is measured in free air without baffle using a 2V sine signal.



Nominal Impedance	6 Ohms	Voice Coil Resistance	4.9 Ohms
Recommended Frequency Range	60 - 3500 Hz	Voice Coil Inductance	0.43 mH
Short Term Power Handling *	200 W	Force Factor	5.3 N/A
Long Term Power Handling *	70 W	Free Air Resonance	67 Hz
Characteristic Sensitivity (2,83V, 1m)	88.5 dB	Moving Mass	6.75 g
Voice Coil Diameter	26 mm	Air Load Mass In IEC Baffle	0.38 g
Voice Coil Height	12 mm	Suspension Compliance	0.8 mm/N
Air Gap Height	6 mm	Suspension Mechanical Resistance	1.77 Ns/m
Linear Coil Travel (p-p)	6 mm	Effective Piston Area	75 cm ²
Maximum Coil Travel (p-p)	14 mm	VAS	6 Litres
Magnetic Gap Flux Density	1.0 T	QMS	1.7
Magnet Weight	0.06 kg	QES	0.52
Total Weight	0.8 kg	QTS	0.4