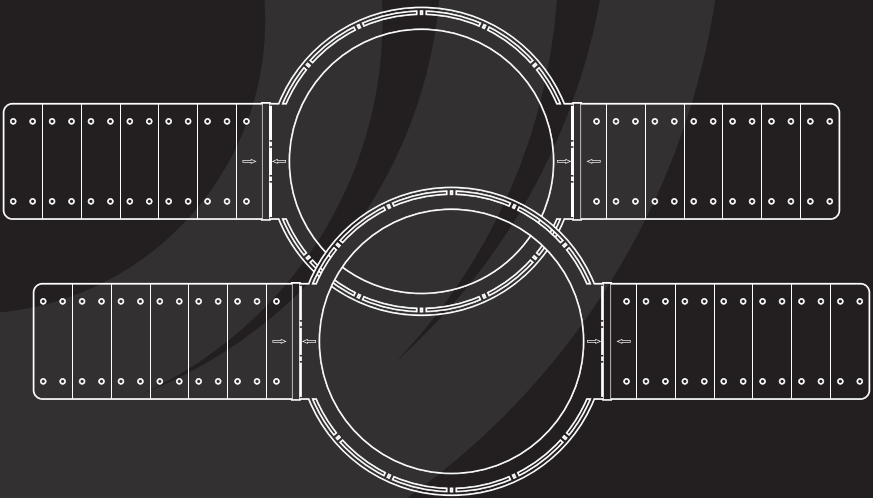




PRE-CONSTRUCTION CEILING SPEAKER BRACKET PAIR

Model: ME6-PCB / ME8-PCB
User Manual



*Thank you for purchasing the Dayton Audio®
Pre-Construction Ceiling Speaker Bracket Pair.*

Installation Instructions

1. Decide where you will want to place your speakers.
2. Make sure that there is sufficient depth and width for the bracket and speaker to be located between the selected joists/studs. Ensure there are no other pipes, ducts, electrical wire etc which will prevent the speaker from being installed later.
3. Attach the two wings to the round centre bracket by inserting them in the tabs as shown in Fig 1 & 2.
4. Position the speaker bracket in the centre of the joist/stud opening and secure it in place using 4 drywall screws (not supplied). The flat side of the speaker bracket should be facing outward as shown in Fig 2.
5. The narrow lip should face the inside of the opening. The excess wing portion can be snapped off at the last score marking on each side. When placing subsequent brackets in the room ensure they line up with the original bracket in terms of distance to the walls, light fixtures etc. Ensure the speaker wire is run to the speaker bracket location leaving at least 2 feet of wire coiled up directly above the round speaker bracket hole.
6. The drywall is installed over top of the whole bracket/wing assembly and the hole is cut to the inside of the speaker bracket. Mount the speaker (not supplied) once the room has been painted.

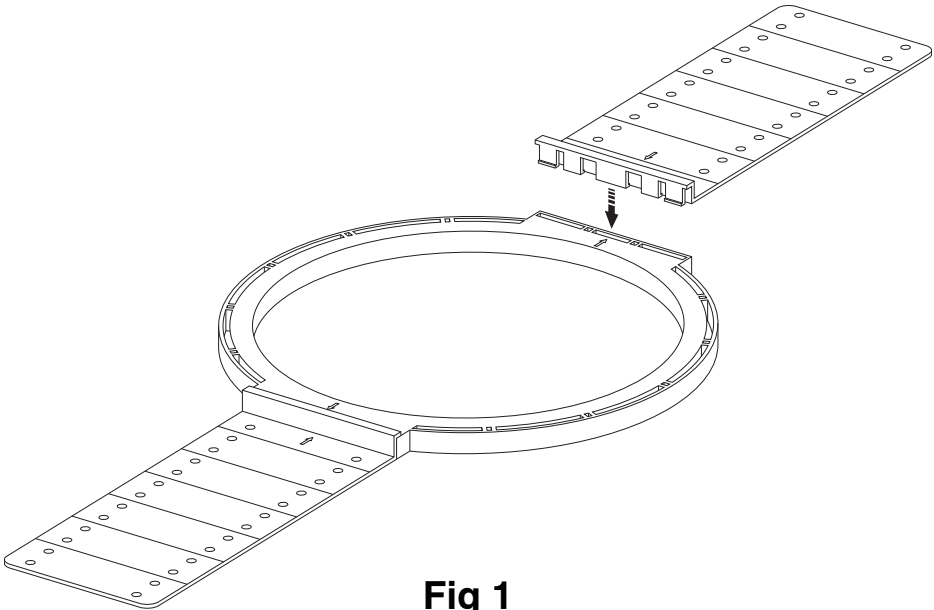


Fig 1

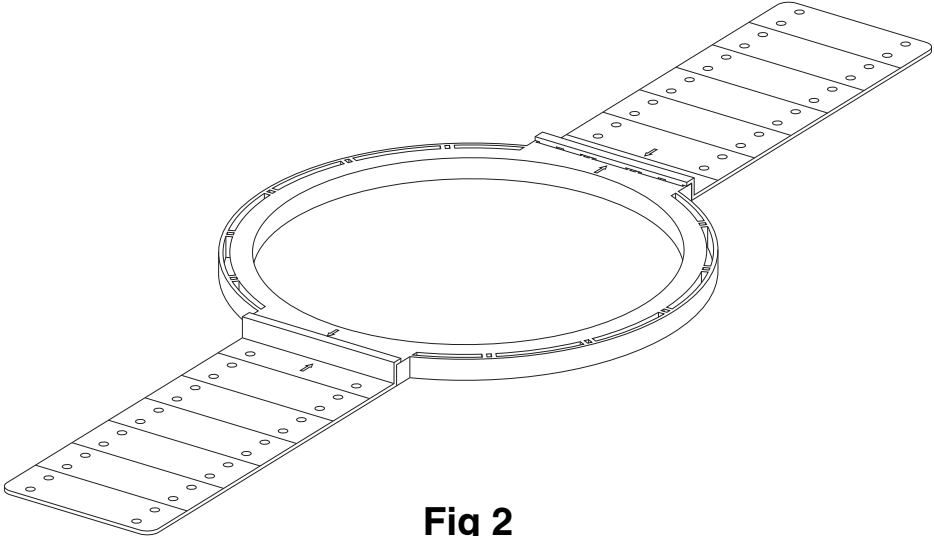


Fig 2

Warranty Information

Dayton Audio products are warranted free from defects in material and workmanship for **5 years** from date of purchase (see exceptions below). In the rare case of a product failure, please contact your place of purchase or call our Customer Support Department at (937) 743-8248.

Warranty Limitations

There are no other warranties, either express or implied, that extend the foregoing, and there are no warranties of merchantability or fitness for any particular purpose. Dayton Audio is not responsible for any consequential or inconsequential damage to any other unit or component or the cost for installation or extraction of any component of the audio system, or for the improper use of products. This includes but is not limited to burnt voice coils, overheating, bent frames, holes in the cone, or broken lead wires. Warranty does not apply to misuse, abuse, neglect, accident, improper use, etc. Dayton Audio reserves the right to repair or replace the products with either a new or factory refurbished unit.

Exception: Dayton Audio HDMI Cables -- No registration, no questions asked LIFETIME warranty. Replacement of Dayton Audio HDMI cables is with equal or better quality HDMI cables. Unassembled Kits - A 45-day return policy applies to unassembled kits. Once assembly has been started or completed, kits are deemed used and are nonreturnable for refund/exchange. This does not limit the manufacturers' warranty policies on any kit component.

This warranty gives you specific legal rights and you may also have other rights that vary from state to state.

Non-Warranty Service: If non-warranty service is required, the product may be sent to the Company for repair/replacement, transportation prepaid, by calling (937) 743-8248 for details, complete instructions, and service fee charges.



daytonaudio.com
tel + 937.743.8248
info@daytonaudio.com

705 Pleasant Valley Dr.
Springboro, OH 45066
USA

