

**Hardware**

- . 172MHz - 28/56bit DSP path
- . 24bit ADC / DAC
- . 114dB SNR ADC IC & DAC IC
- . Balanced/Unbalanced analog Inputs and Outputs
- . SPDIF/AES-EBU/Toslink Input with Sample Rate Converter (ASRC)
- . SPDIF + AES-EBU + Toslink output

**External control**

- . Front panel volume control through rotary encoder
- . I.R. remote control for Master volume control and preset recall

**Software Control**

- . USB 2.0 interface
- . Plug&Play - No driver required
- . WinXP/Vista/7 & Mac compatible
- . Firmware upgradeable for future expansion

**Power**

- . Single external universal 12VDC power supply

**Applications**

- . Multi-way speaker processing
- . Audio processor
- . Mobile Audio

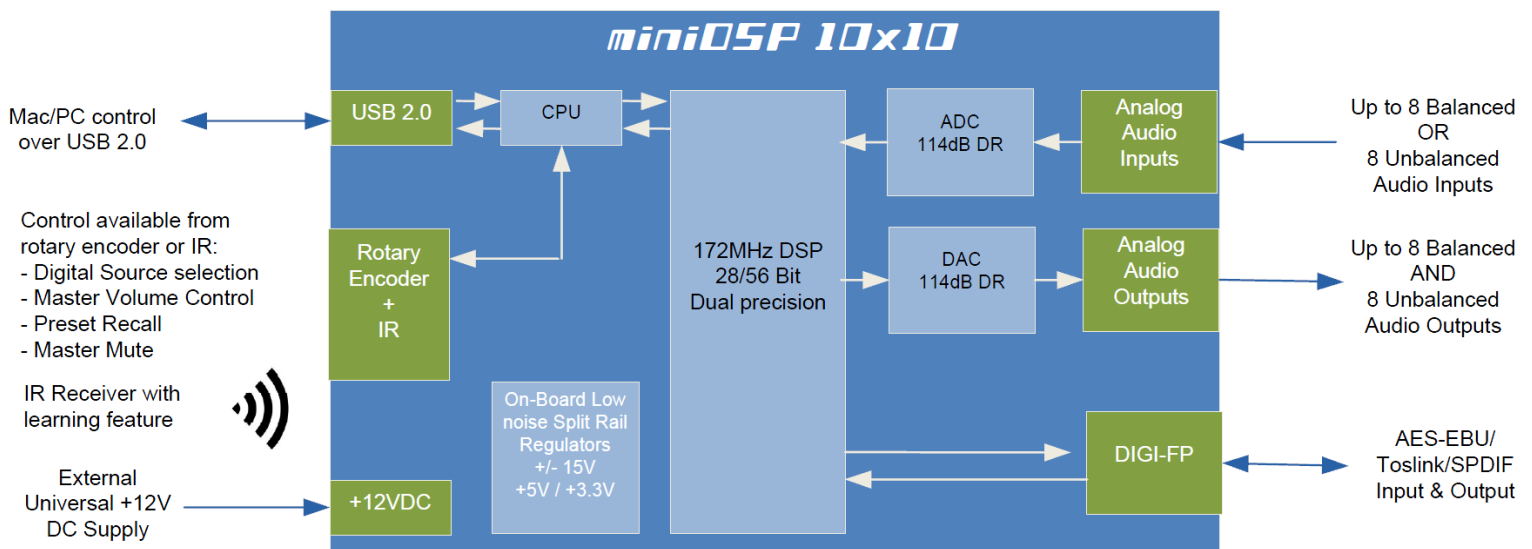
miniDSP 10x10 HD is a versatile multi-channel Digital Signal Processor (DSP) for analog and digital audio sources. Combining high quality audio algorithms along with a flexible graphical user interface, the 10x10 HD can be used for multi-way speaker processing or multi-channel equalization (e.g. 7.1 processing). With balanced & un-balanced audio I/O, the platform easily fits the needs of most audio systems. The sturdy powder coated steel enclosure, brushed aluminum front panel and removable rack ears is a perfect match for both consumer (Home AV) or commercial (ProAV) applications.

On the processing side, the platform ranks high on versatility thanks to our unique product concept of audio plug-ins. The unit is easily configured on Mac/PC machines from a responsive and intuitive Graphic User Interface. Once the unit is programmed, control of presets, master volume and digital source selection can be done via the front panel encoder or Infrared (I.R) receiver without the use of a computer.

Finally, the miniDSP experience isn't just another audio product. It's about joining the ranks of a large audio community with fully integrated tools and extensive application notes. At miniDSP, we value partnerships and the complete integration of our products with well known platforms such as Room EQ Wizard (REW) software is yet another step to provide fully integrated solutions to our customers.



**SYSTEM DIAGRAM**



**HARDWARE SPECIFICATIONS**

Item	Description
Digital Signal Processor	172MHz, 28/56bit Digital Signal Processor
Control	Driverless USB 2.0 control interface for Windows/Mac OS x environments
Audio inputs	8 x Balanced (Terminal Block) or 8 x Unbalanced (RCA) inputs 114dB ADC IC / Measured SNR 105dB
Audio outputs	8 x Balanced (Terminal Block) and 8 Unbalanced (RCA) outputs 114dB DAC IC / Measured SNR 105dB
ADC/DAC Resolution	24bits - Available in 48kHz or 96kHz version depending on plug-in
Maximum Input signal	Unbalanced Input ( RCA): 2Vrms (+8 dBu) or 0.9Vrms (see jumpers) Balanced Input (Terminal block): 8Vrms (+20dBu)
Maximum Output signal	Dip switch on motherboard attenuates outputs by 6dB (RCA & Terminal blocks) Unbalanced outputs (RCA): 2Vrms (+8 dBu) or 0.9Vrms Balanced outputs (Terminal block): 4Vrms (+14 dBu) or 8Vrms (20dBu)
Digital Audio inputs	1 x SPDIF on RCA connector, transformer isolated 1 x Optical input on Toslink connector 1 x AES-EBU on balanced XLR Neutrik connector, transformer isolated
Digital Audio outputs (all active)	1 x SPDIF on RCA connector, transformer isolated 1x Optical outputs on Toslink connector 1x AES-EBU on balanced XLR Neutrik connector, transformer isolated
Sample rate converter	Up/Down sample digital audio input signal to the correct plug-in sample rate (48/96kHz) based on the loaded plug-in. Up to 216kHz sample rate.
Rotary Encoder	Front Panel rotary encoder for Master volume control (all output channels)
Infrared Red (I.R) receiver	Front panel I.R. receiver controls volume, mute, source selection and preset recall
USB Control	USB type B connector
Rack mounting	Removable rack mount ears pre-installed
Power supply	External 12VDC universal power supply (25W)
Dimensions (H x W x D) mm	41.5 x 429 x 252 mm - 1RU height

**MECHANICAL SPECIFICATIONS**

