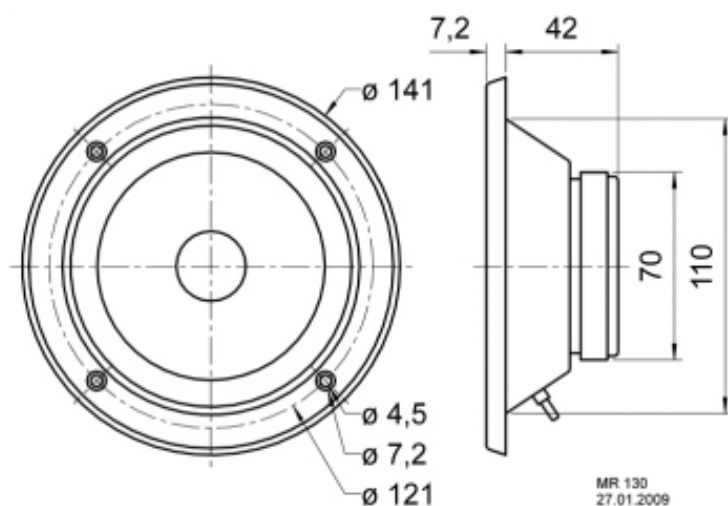


Technical Data

Nominal impedance Z	8 Ohm
Frequency response	400–13000 Hz
Mean sound pressure level	89 dB (1 W/1 m)
Opening angle (-6 dB)	79°/4000 Hz
Excursion limit	+/-2 mm
Resonance frequency fs	500 Hz
Magnetic induction	0.9 T
Magnetic flux	260 µWb
Height of front pole-plate	4 mm
Voice coil diameter	25 mm
Height of winding	8 mm
Cutout diameter	110 mm
Net weight	0.55 kg
D.C. resistance Rdc	6.8 Ohm
Mechanical Q factor Qms	8.67
Electrical Q factor Qes	5.85
Total Q factor Qts	3.49
Equivalent volume Vas	0.1 l
Effective piston area Sd	70 cm²
Dynamically moved mass Mms	5 g
Force factor Bxl	4.3 Tm
Inductance of the voice coil L	0.4 mH
Peak power handling with high pass	100 W (12 dB/Okt.; 800 Hz)
Nominal power handling with high pass	80 W (12 dB/Okt.; 800 Hz)

MR130 (#9016)



Visaton MR 130 - 8 Ohm

Frequenzgang und Impedanz

