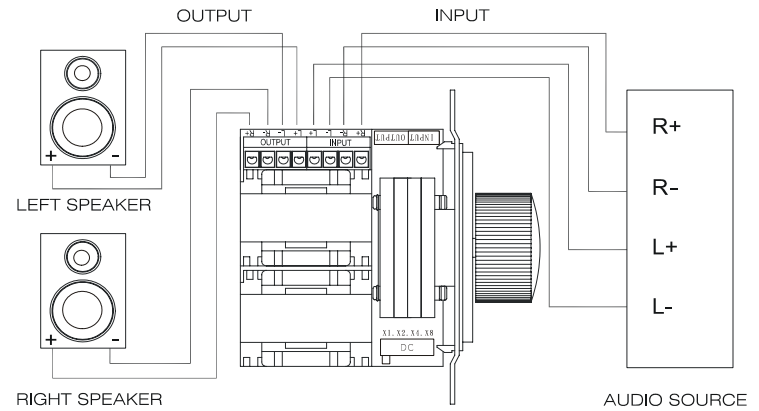




Outdoor Volume Control

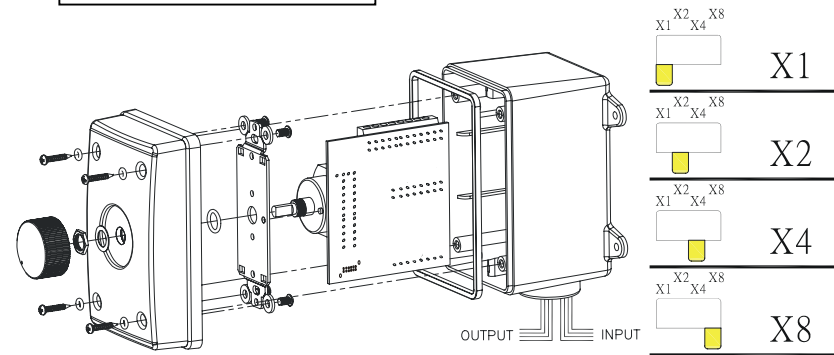
1. Remove about 1/4" of insulation from the ends of all wires to be connected to the volume control and twist the exposed strands.
2. This volume control features removable connectors that accept up to 14 gauge wire for ease of installation.
3. Loosen the set screws on the removable connectors.
4. Connect the leads from AMPLIFIER to the set screws labeled INPUT. Follow appropriate polarity marking LEFT L(+), L(-) and RIGHT R(+), R (-) and attach the connectors to the the appropriately marked terminals. Make sure to tighten the screws firmly.
5. Connect SPEAKER wires to the set screws on the volume control labeled OUTPUT. Follow the appropriate polarity marking as for the input connectors.
6. Install the completed assembly in the junction box. Insert carefully to avoid excessive strain on the set screws. If necessary, pre-dress the wires for easiest mounting.

Be careful not to allow speaker wire strands to short against case or other speaker wire.



ASSEMBLY DIAGRAM

MATCHING SETTINGS



Impedance matching settings to match back to 8Ω at amplifier				
SPEAKER OHMS (Ω)	X1	X2	X4	X8
8	1 PAIR	2 PAIR	4 PAIR	8 PAIR
4	-	1 PAIR	2 PAIR	4 PAIR

Impedance matching settings to match back to 4Ω at amplifier				
SPEAKER OHMS (Ω)	X1	X2	X4	X8
8	2 PAIR	4 PAIR	8 PAIR	16 PAIR
4	1 PAIR	2 PAIR	4 PAIR	8 PAIR