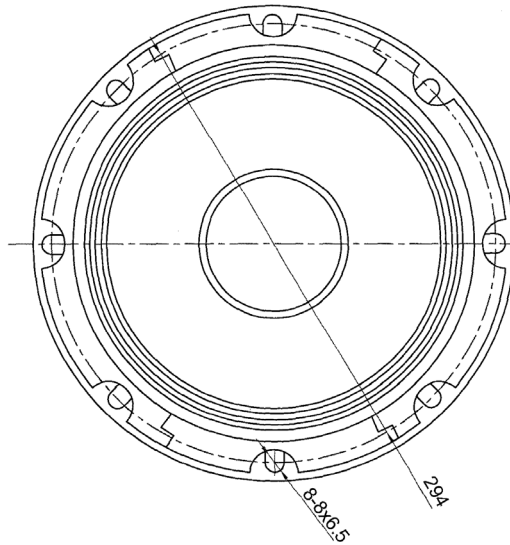
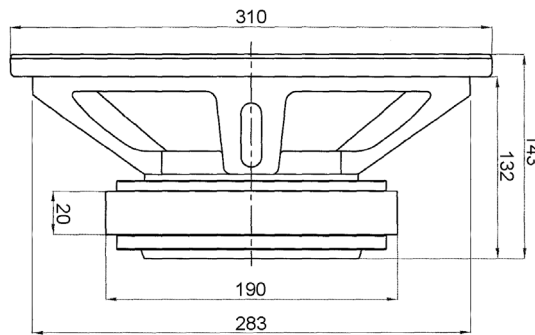


**Features**

- Low distortion motor system
- Heavy duty rolled edge frame
- Vented pole piece
- Vented voice coil gap
- Carbon fiber impregnated paper cone
- Bumped back plate
- Black polyimide former

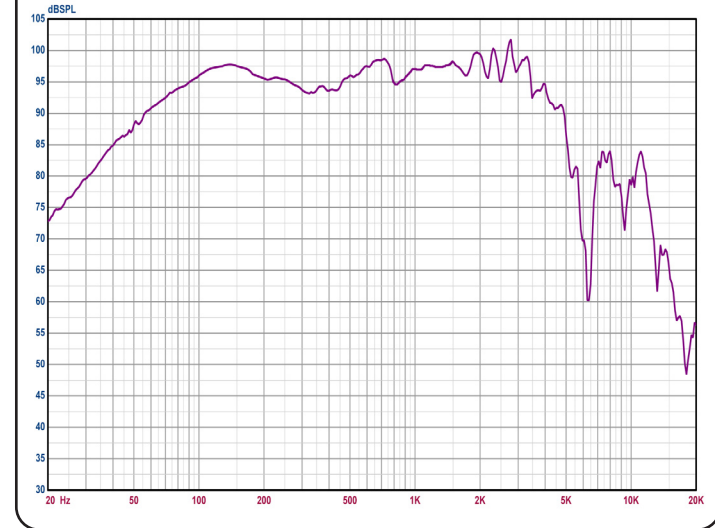
**Parameters**

Impedance ( $\Omega$ )	8
Re ( $\Omega$ )	5.7
Le (mH) @ 1 kHz	1.53
Fs (Hz)	44.4
Qms	8.63
Qes	0.34
Qts	0.32
Mms (g)	62.1
Cms (mm/N)	0.21
Sd (cm <sup>2</sup> )	530.9
Vd (cm <sup>3</sup> )	265.5
BL (Tm)	16.94
VAS (liters)	81.9
XMAX (mm)	5.0
VC Diameter (mm)	76
SPL (2.83V/1m)	97.2
RMS Power Handling (w)	450
Usable Frequency Range (Hz)	44-4,000



Note: All dimensions in mm.

**Frequency Response**



**Impedance/Phase**

