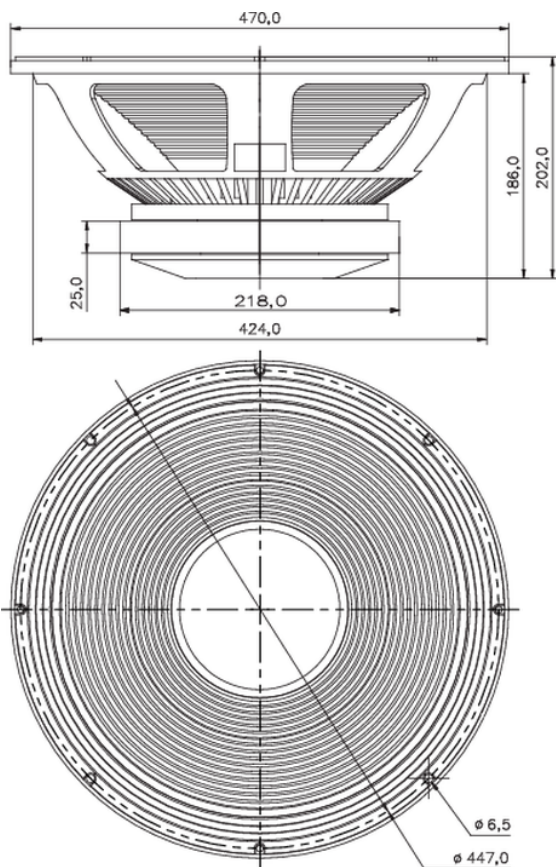




# PA465S-8 18" Pro Subwoofer 4" VC 8 Ohm

PA465S-8



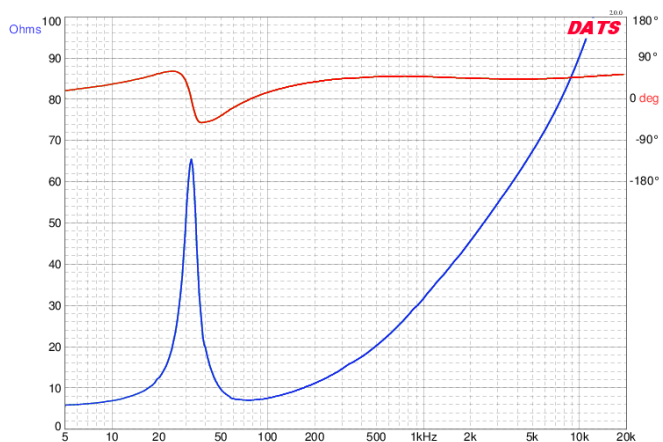
## PARAMETERS

|                             |                       |
|-----------------------------|-----------------------|
| Impedance                   | 8 ohms                |
| Re                          | 5.4 ohms              |
| Le                          | 4.98 mH               |
| Fs                          | 32.3 Hz               |
| Qms                         | 6.92                  |
| Qes                         | 0.62                  |
| Qts                         | 0.57                  |
| Mms                         | 271g                  |
| Cms                         | 0.09 mm/N             |
| Sd                          | 1,225 cm <sup>2</sup> |
| Vd                          | 1,225 cm <sup>3</sup> |
| BL                          | 21.9 Tm               |
| Vas                         | 193 liters            |
| Xmax                        | 10 mm                 |
| VC Diameter                 | 100 mm                |
| SPL                         | 93.9 dB @ 2.83V/1m    |
| RMS Power Handling          | 1000 watts            |
| Usable Frequency Range (Hz) | 25 - 1,000 Hz         |

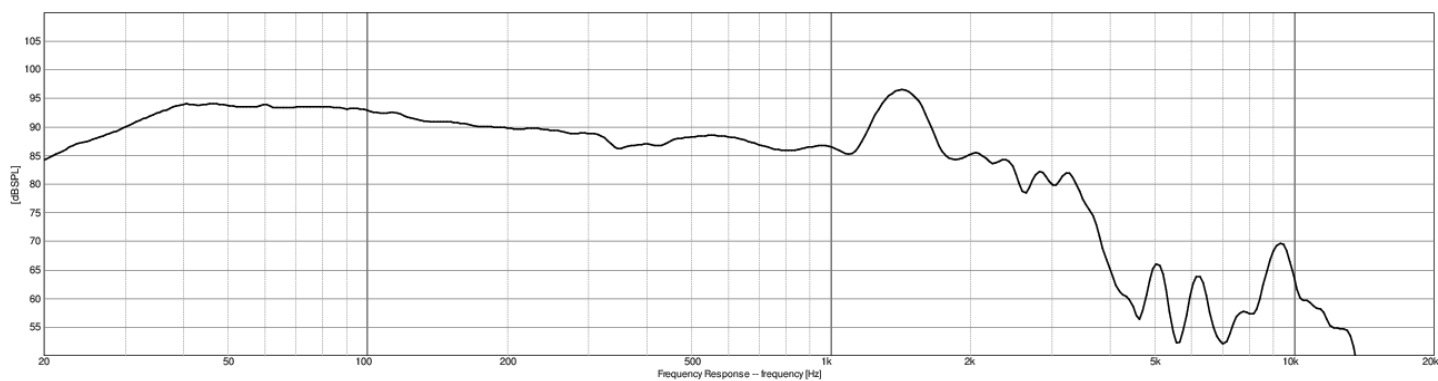
## FEATURES

- Thick, rigid Kevlar-paper cone resists deformation
- Inside/outside wound 4" diameter voice coils for maximum motor efficiency
- Extensive motor venting for elevated power handling and cool operation
- 11mm of Klippel-verified Xmax
- Rugged cast-frame construction with premium materials

## IMPEDANCE/PHASE



## FREQUENCY RESPONSE



Note: 1/24<sup>th</sup> octave smoothing - nearfield response included in graph below 450 Hz.

Black = 0°