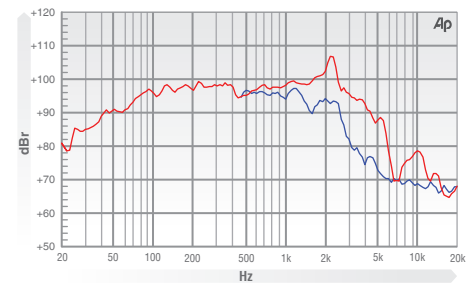


SOVEREIGN PRO 12-300S

The Sovereign Pro 12-300S is intended for use in two-way ported enclosures, such as the classic bass driver plus horn tweeter or compression driver format. The unit features die cast chassis with long throw motor system and high linearity suspension allowing solid bass reproduction at high-power levels. The specially formulated cone pulp allows this driver to give a warm and smooth response throughout the bass frequency range and delivers well balanced tonal characteristics when properly matched to appropriate high-frequency drivers. The Sovereign Pro 12-300S is designed for use in 25 to 80 litre ported enclosures and features a 2.5 inch voice coil, 300 Watt power handling and 97.5 dB sensitivity.

FREQUENCY RESPONSE DATA*



* Half space response measured in a 975 litre sealed box

ELECTRO ACOUSTIC SPECIFICATIONS

Nominal Chassis Diameter	12"
Impedance	5.5 Ω
Power Handling	300w (EIA 426A)
Peak Power (6dB Crest Factor)	1200w (EIA 426A)
Usable Frequency Range -6dB	45 Hz -2.5kHz
Sensitivity (1 w - 1 m)	97.5
Moving Mass inc. Air Load	60.68 grams
Minimum Impedance Zmin	6.84 Ω
Effective Piston Diameter	10.31" / 262 mm
Peak Displacement Volume of Cone Vd	0.27 litres
Magnet Weight	56 oz
Magnetic Gap Depth	0.31" / 8 mm
Flux Density	1.1 Tesla
Coil Winding Height	0.57" / 14.5 mm
Voice Coil Diameter	2.5" / 63.5 mm

THIELE SMALL PARAMETERS

FS Hz	40 Hz
RE Ohms	5.5 Ω
Qms	11.68
Qes	0.33
Qts	0.32
Vas Ltr	101.26
Vd litres	0.27
CMS (mm/N)	0.256
BL T/m	16.02
Mms (grms)	60.68
Xmax (mm)	5.25
Sd (cm ²)	527.7
Efficiency %	2.10%
Le (1k Hz)	1.556mH

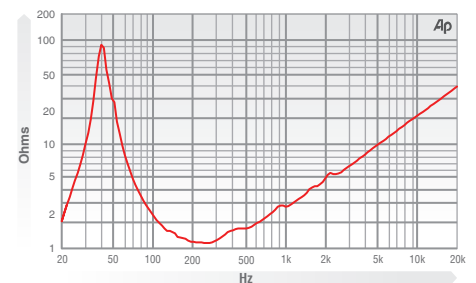
MATERIALS OF CONSTRUCTION

Former Material	Kapton
Voice Coil	Copper
Magnet Material	Ferrite
Chassis	Die-cast Aluminium
Cone	Curvilinear Paper
Surround / Edge Termination	Polyvinyl Damped Half Roll Linen
Dust Dome	Solid Paper
Connectors	Push-button Spring Terminals
Polarity	Positive Voltage at Red Terminal Causes Forward Motion of Cone

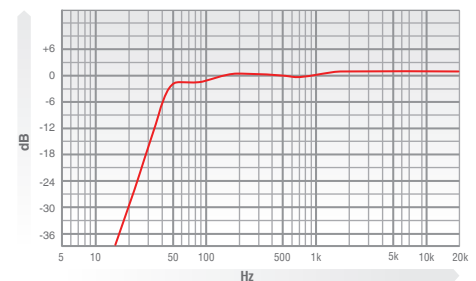
MOUNTING / SHIPPING INFORMATION

Overall Diameter	13" / 330.2 mm
Width Across Flats	12.19" / 309.5 mm
Flange Height	0.305" / 7.8 mm
Baffle Hole Diameter F/M	11.03" / 281 mm
Baffle Hole Diameter R/M	10.13" / 257 mm
Gasket Supplied	Front & Rear
Fixing Holes	4x 0.218" diam on 12.5 PCD 4x 5.5 mm diam on 317.5 PCD
Depth	5.27" / 134 mm
Weight	10.25 / 4.65 kg
Recommended Enclosure Volume	0.88 - 2.83 cu ft / 25 - 80 litres
Shipping Weight	11.46 / 5.2 kg
Packing Carton Dimensions	165 x 330 x 330 mm

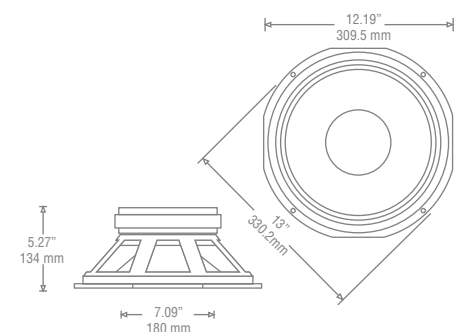
IMPEDANCE



PREDICTED BASS RESPONSE



** Normalized bass response in 50 litre tuned to 47Hz



- Please enquire about alternative impedances.
- EIA 426A. power handling test. Pink noise bandpass filtered at 12 dB per octave. Driver mounted in free air, test signal applied at rated power for 8 hours.
- Please note that the frequency response measurements are supplied for comparison only and are not a measure of the low frequency performance which may be achieved in a fully optimised system.