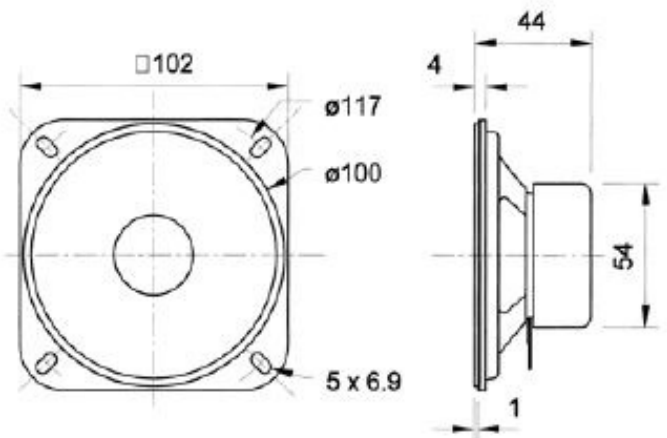


(#2047)

Technical Data:

Rated power	20 W
Maximum power	30 W
Nominal impedance Z	8 Ohm
Frequency response	100–13000 Hz
Mean sound pressure level	90 dB (1 W/1 m)
Opening angle (-6 dB)	92°/4000 Hz
Excursion limit	+/-1,5 mm
Resonance frequency fs	150 Hz
Magnetic induction	0,95 T
Magnetic flux	135 µWb
Height of front pole-plate	3 mm
Voice coil diameter	15 mm
Height of winding	4 m
Cutout diameter	93 m
Net weight	0,24 kg
D.C. resistance Rdc	7,4 Ohm
Mechanical Q factor Qms	5,3
Electrical Q factor Qes	2,63
Total Q factor Qts	1,76
Equivalent volume Vas	2,3 l
Effective piston area Sd	56 cm²
Dynamically moved mass Mms	2,2 g
Force factor Bxl	2,4 T m
Inductance of the voice coil L	0,5 mH
Connections	6,3 x 0,8 mm (+) 4,8 x 0,8 mm (-)
Temperature range	-40 ... 70 °C



Visaton R 10 SC

Frequenzgang und Impedanz

