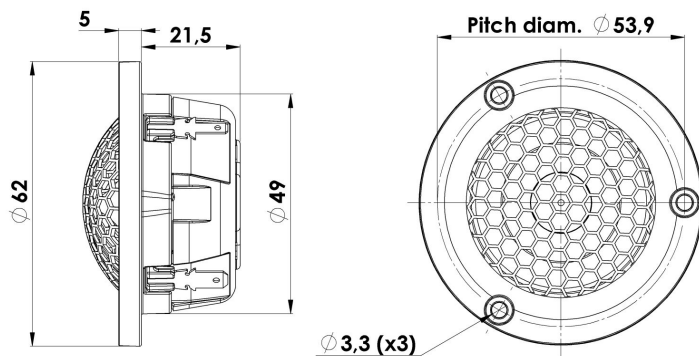




TWEETER

R3004/602006

Our SILVER SERIES are specially selected units from Scan-Speak's well-known home audio speakers. Which have been optimized for automotive use. This series enables audiophiles to experience in their vehicle the - TRUE TO LIVE - that they enjoy from their high-end home audio system.



KEY FEATURES:

- 1" Ring Dome Diaphragm
- Patented Symmetrical Drive (SD-2) motor
- Non Resonant Alu Rear Chamber
- Patented Phase Plug Design
- Sound Transparent Protective Grill
- Die Cast Housing & Face Plate

T-S Parameters

Resonance frequency [fs]	625 Hz
Mechanical Q factor [Qms]	5.73
Electrical Q factor [Qes]	1.43
Total Q factor [Qts]	1.14
Force factor [Bl]	1.7 Tm
Mechanical resistance [Rms]	0.24 kg/s
Moving mass [Mms]	0.35 g
Compliance [Cms]	0.19 mm/N
Effective diaph. diameter [D]	27 mm
Effective piston area [Sd]	5.6 cm ²
Equivalent volume [Vas]	0.01 l
Sensitivity (2.83V/1m)	87.5 dB
Ratio Bl/√Re	0.98 N/√W
Ratio fs/Qts	547 Hz

Notes:

IEC specs. refer to IEC 60268-5 third edition.
All Scan-Speak products are RoHS compliant.
Data are subject to change without notice.
Datasheet updated: March 15, 2016.

Electrical Data

Nominal impedance [Zn]	4 Ω
Minimum impedance [Zmin]	3.8 Ω
Maximum impedance [Zo]	15.0 Ω
DC resistance [Re]	3 Ω
Voice coil inductance [Le]	0.02 mH

Power Handling

100h RMS noise test (IEC 17.1)*	40 W
Long-term max power (IEC 17.3)*	100 W

*Filter: 2. order HP Butterworth, 2.5 kHz

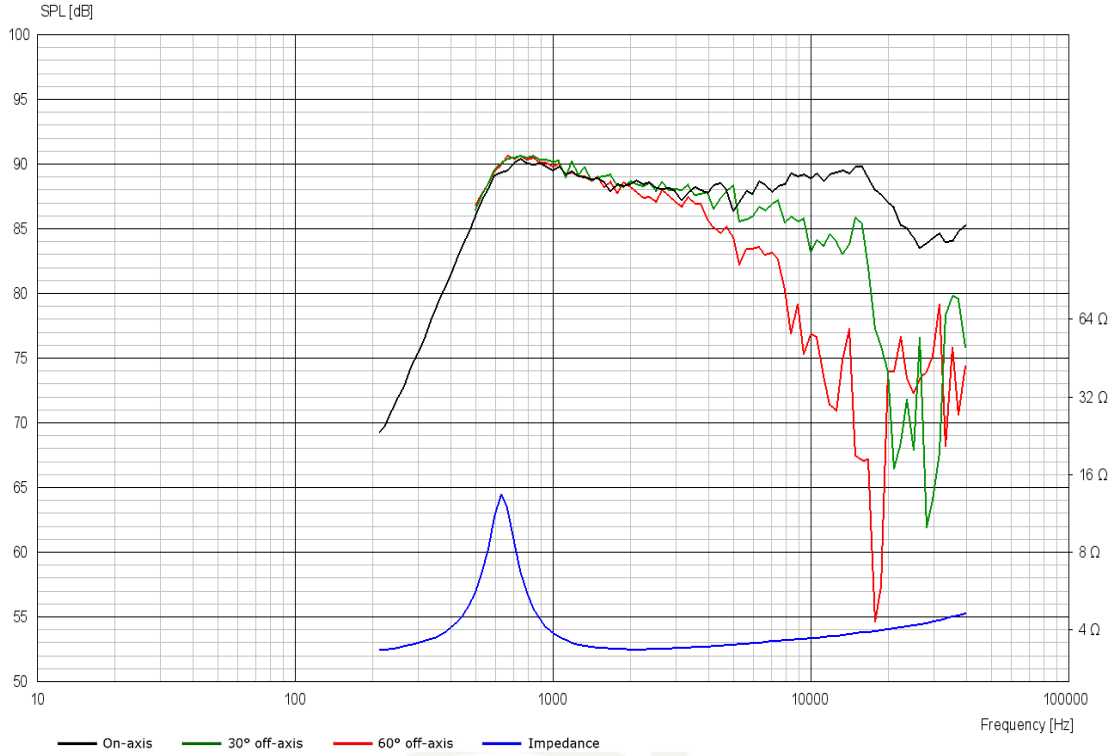
Voice Coil & Magnet Data

Voice coil diameter	26 mm
Voice coil height	2.1 mm
Voice coil layers	2
Height of gap	2.5 mm
Linear excursion	± 0.2 mm
Max mech. excursion	± 1.6 mm
Unit weight	0.15 kg

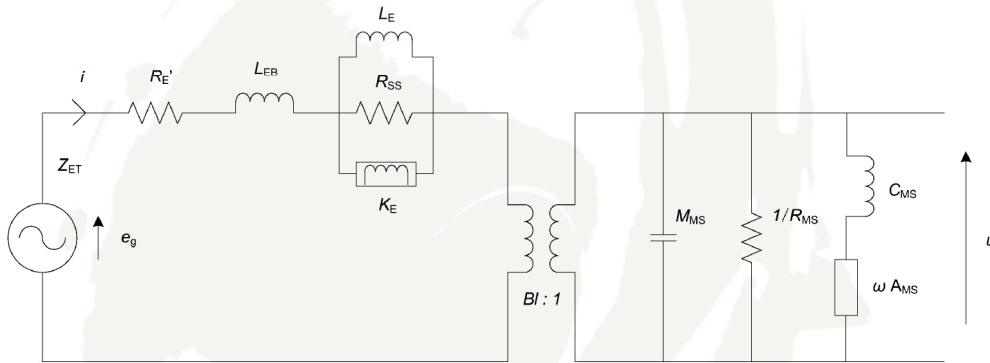


TWEETER

R3004/602006



Advanced Parameters (Preliminary)



Electrical data

Resistance [$R_{E'}$]	- Ω
Free inductance [L_{EB}]	- mH
Bound inductance [L_E]	- mH
Semi-inductance [K_E]	- SH
Shunt resistance [R_{SS}]	- Ω

Mechanical Data

Force Factor [BI]	- Tm
Moving mass [M_{MS}]	- g
Compliance [C_{MS}]	- mm/N
Mechanical resistance [R_{MS}]	- kg/s
Admittance [A_{MS}]	- mm/N