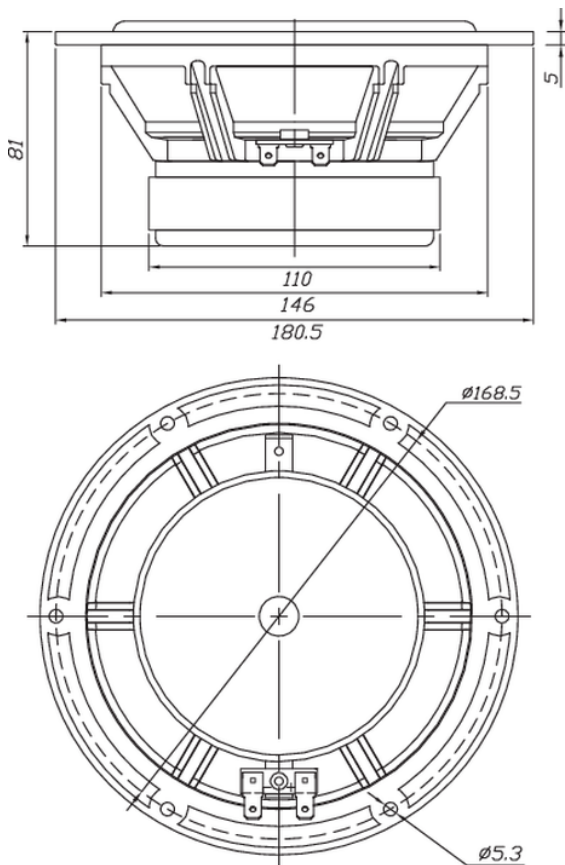




RS180P-4 7" Reference Paper Woofer 4 Ohm

RS180P-4



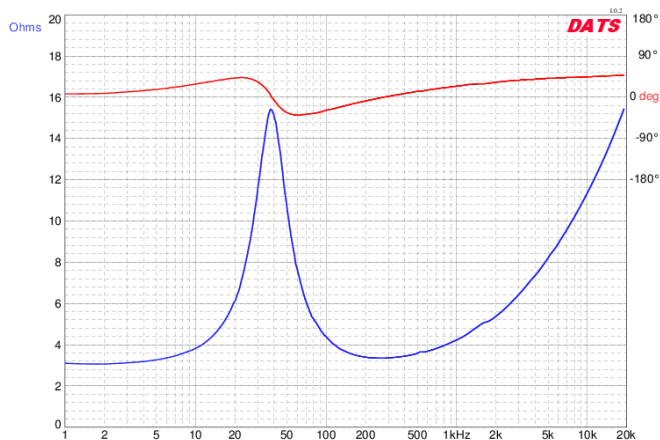
PARAMETERS

Impedance	4 ohms
Re	3.1 ohms
Le	0.47 mH @ 1 kHz
Fs	37.7 Hz
Qms	1.98
Qes	0.48
Qts	0.39
Mms	14.8g
Cms	1.21 mm/N
Sd	126.7 cm ²
Vd	76.02 cm ³
BL	4.67 Tm
Vas	27.3 liters
Xmax	6 mm
VC Diameter	38.5 mm
SPL	90.8 dB @ 2.83V/1m
RMS Power Handling	60 watts
Usable Frequency Range (Hz)	35 - 8,000 Hz

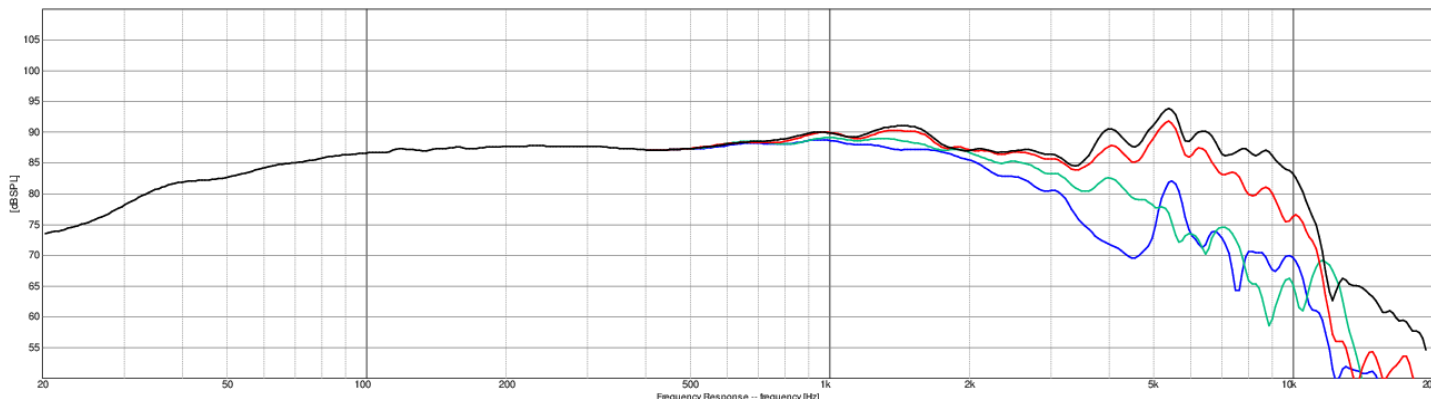
FEATURES

- Similar cosmetics and design features as original Reference Series with low-distortion motor, 6-hole cast frame, rubber surround, and solid aluminum phase plug
- Perfect as a woofer, midwoofer, or dedicated midrange driver
- Three-part paper composite diaphragm featuring paper, Kevlar®, and glass fibers
- 6 mm of Xmax and 88.2 dB sensitivity

IMPEDANCE/PHASE



FREQUENCY RESPONSE



Note: 1/24th octave smoothing - nearfield response included in graph below 450 Hz.

Black = 0°
Red = 15°
Green = 30°
Blue = 45°