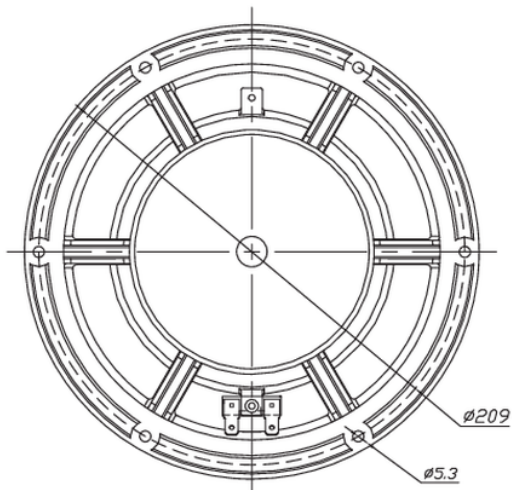
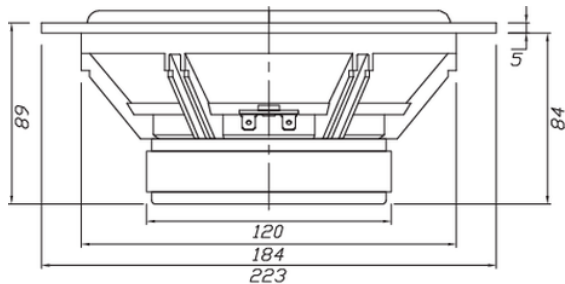




RS225P-4 8" Reference Paper Woofer 4 Ohm

RS225P-4



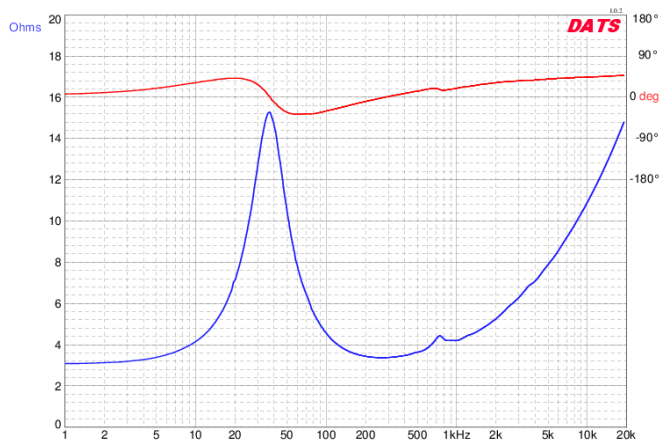
PARAMETERS

Impedance	4 ohms
Re	3.1 ohms
Le	0.45 mH @ 1 kHz
Fs	37 Hz
Qms	1.73
Qes	0.44
Qts	0.35
Mms	22.8g
Cms	0.81 mm/N
Sd	213.8 cm ²
Vd	128.2 cm ³
BL	6.1 Tm
Vas	52.1 liters
Xmax	6 mm
VC Diameter	38.5 mm
SPL	93.8 dB @ 2.83V/1m
RMS Power Handling	80 watts
Usable Frequency Range (Hz)	35 - 5,500 Hz

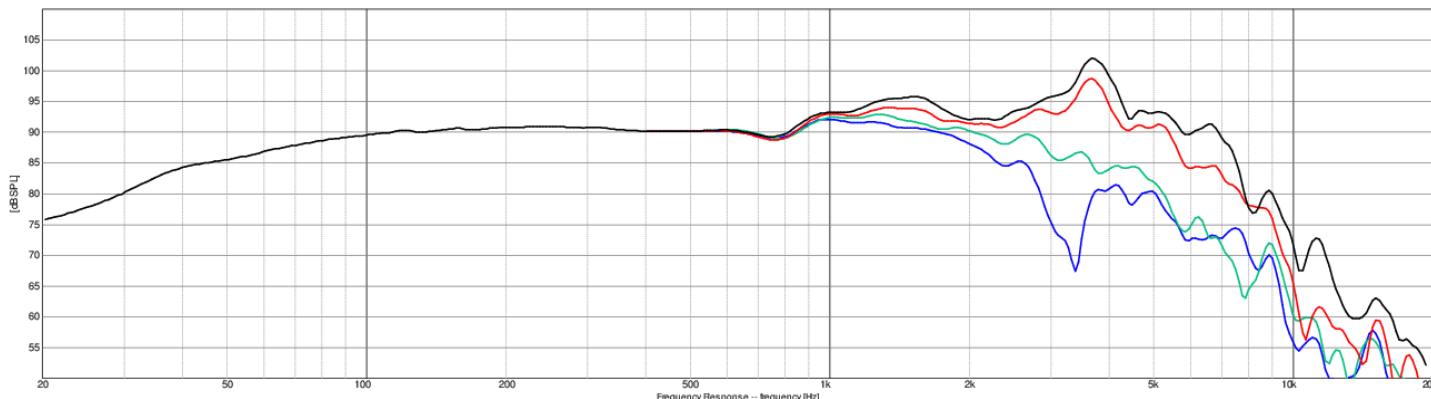
FEATURES

- Perfect for use as a woofer, midwoofer, or dedicated midrange driver
- Three-part paper composite diaphragm featuring paper, Kevlar®, and glass fibers
- Similar cosmetics and design features as the aluminum Dayton Audio Reference Series speakers

IMPEDANCE/PHASE



FREQUENCY RESPONSE



Note: 1/24th octave smoothing - nearfield response included in graph below 450 Hz.

Black = 0°
Red = 15°
Green = 30°
Blue = 45°