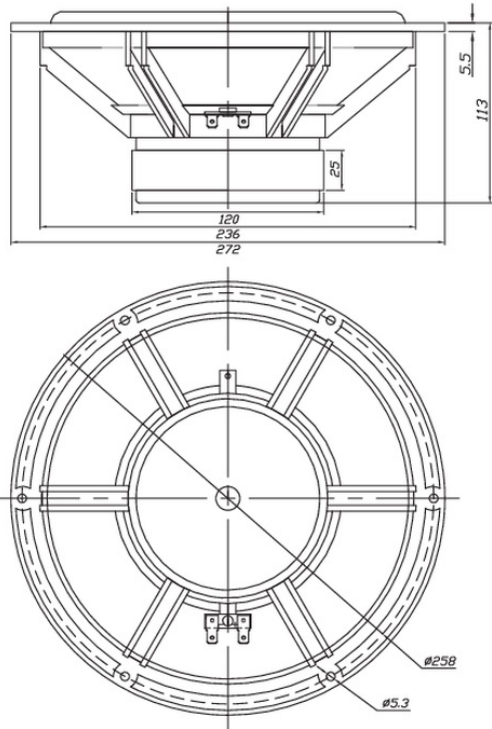




RS270-4 10" Reference Woofer 4 Ohm

RS270-4



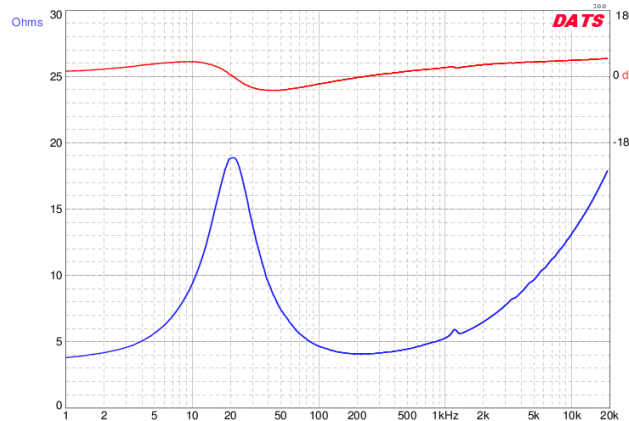
PARAMETERS

Impedance	4 ohms
Re	3.9 ohms
Le	0.57 mH
Fs	20.9 Hz
Qms	1.33
Qes	0.35
Qts	0.27
Mms	98.6g
Cms	0.59 mm/N
Sd	346.4 cm ²
Vd	207.8 cm ³
BL	12.1 Tm
Vas	98.6 liters
Xmax	6.0 mm
VC Diameter	2"
SPL	89.2 dB @ 2.83V/1m
RMS Power Handling	100 watts
Usable Frequency Range (Hz)	21 - 2,000 Hz

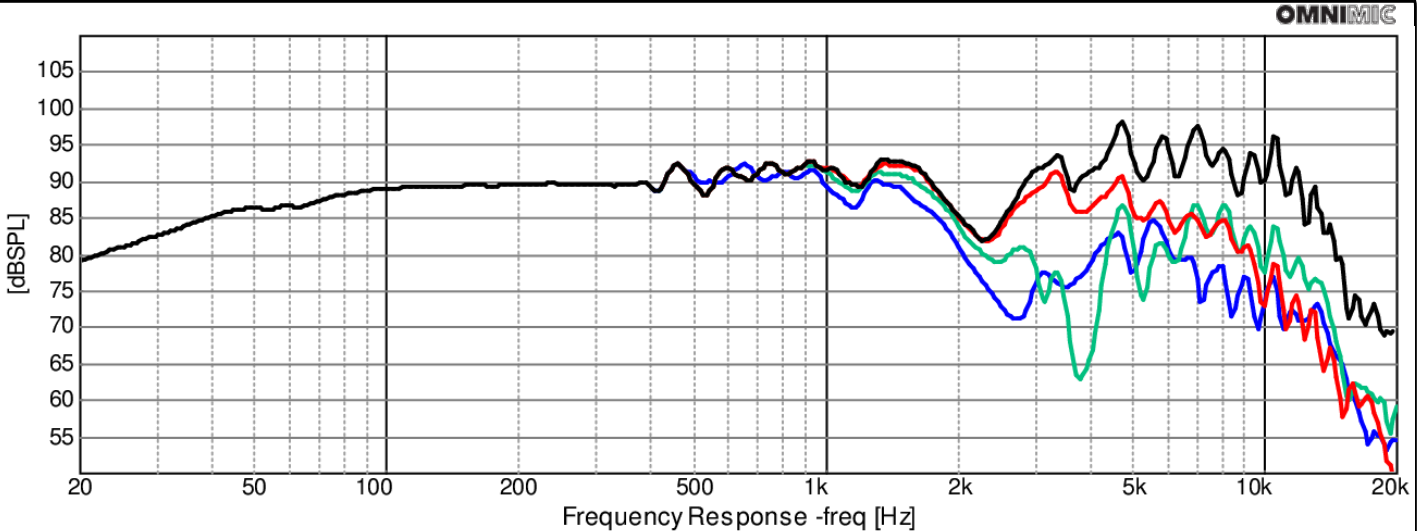
FEATURES

- One of the lowest distortion, highest resolution driver series available
- Compliant suspension and rigid black anodized aluminum cone for strong bass performance
- Heavy-duty 6-hole cast frame, low-loss rubber surround, and solid aluminum phase plug
- 89.2 dB sensitivity and 6 mm of excursion

IMPEDANCE/PHASE



FREQUENCY RESPONSE



OmniMic

Note: 1/24th octave smoothing - nearfield response included in graph below 450 Hz.

Black = 0°
Red = 15°
Green = 30°
Blue = 45°