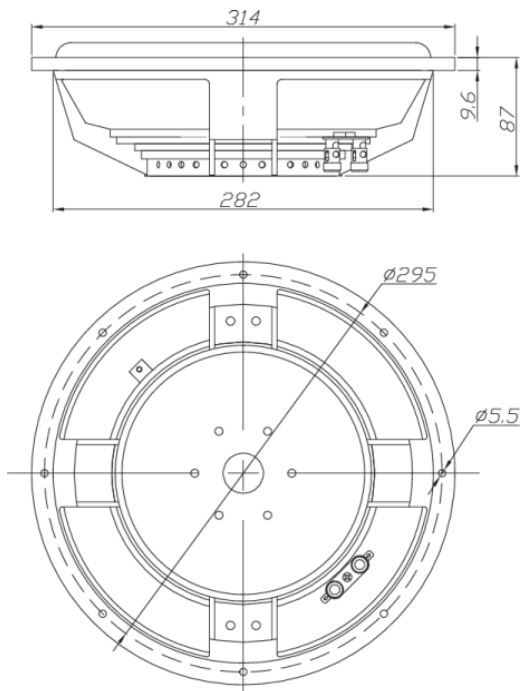




RSS315-PR 12" Aluminum Cone Passive Radiator

RSS315-PR



FEATURES

- SMS (Sandwich Mass System) permits greater linearity by minimizing angular torque
- Durable yet compliant suspension provides substantial linear travel and mechanical stability
- Rigid cast aluminum frame with thick black anodized aluminum cone
- Threaded rod with lock nut for easy adjustment of tuning frequency
- Includes 6-75 gram weighted disks for simple tuning adjustment

Default Parameters (driver only)

Fs	21 Hz
Qms	4.79
Mms	300g
Cms	0.22 mm/N
Sd	506.7 cm ²
Vd	1,317.4 cm ³
Vas	78.9 liters
Xmax	26 mm

Note: Parameters above are for the passive only with no additional mass added. Parameters with additional mass added are listed in the table below.

Parameters with Added Mass

RSS315-PR	0 disk	1 disk	2 disk	3 disk	4 disk	5 disk	6 disk	
Mmpr	300	375	450	525	600	675	750	g
Fpr	19.7	17.7	16.1	14.9	14.0	13.2	12.5	Hz
Qmpr	4.79	5.36	5.87	6.34	6.78	7.19	7.57	
Vapr	78.9	These parameters remain the same						liters
Cmpr	0.217							mm/N
Rmpr	7.77							kg/s
Xmech	26							mm
Sd	506.7							cm²
Vd	1,317.4							cm³