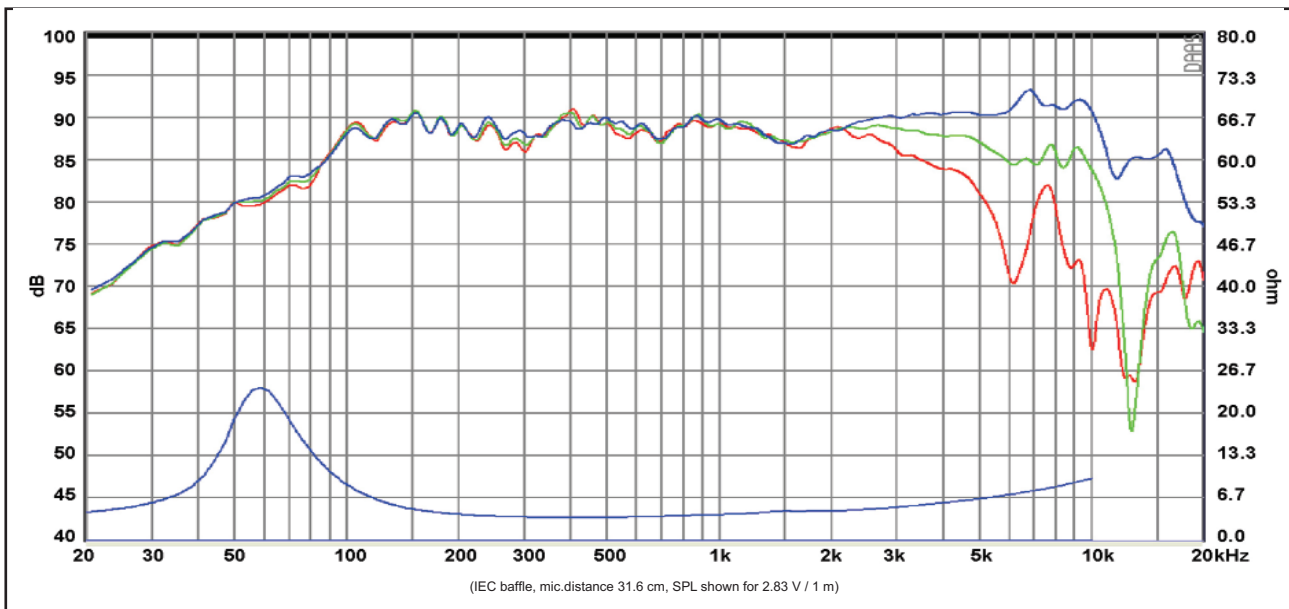
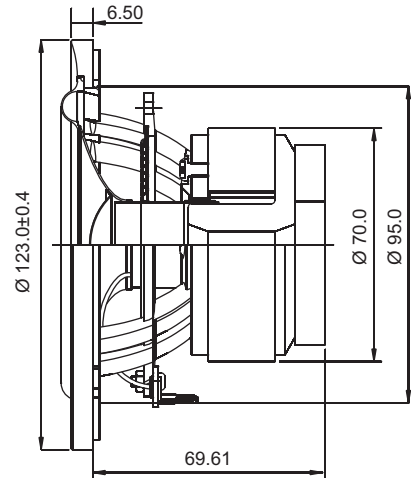
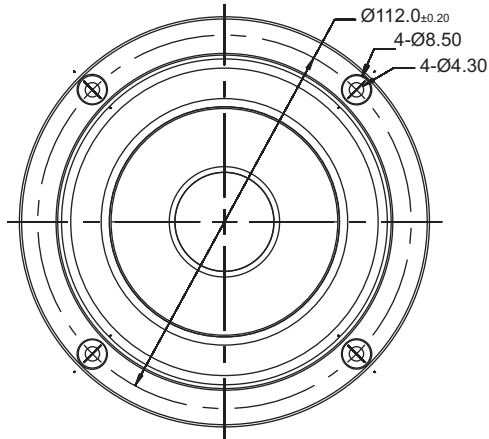


# ACOUSTICS

## 4" SB12MNRX25-4



Response Curve :

— (Blue) : on axis      — (Green) : 30° off-axis      — (Red) : 60° off-axis

### Specs :

Nominal Impedance	4 Ω	Free air resonance, Fs	58 Hz
DC resistance, Re	3.2Ω	Sensitivity (2.83 V / 1 m)	88.5 dB
Voice coil inductance, Le	0.14 mH	Mechanical Q-factor, Qms	3.6
Effective piston area, Sd	50 cm <sup>2</sup>	Electrical Q-factor, Qes	0.42
Voice coil diameter	25.4 mm	Total Q-factor, Qts	0.37
Voice coil height	9.5 mm	Moving mass incl.air, Mms	4.9 g
Air gap height	5 mm	Force factor, Bl	3.7 Tm
Linear coil travel (p-p)	4.5 mm	Equivalent volume, Vas	5.5 liters
Magnetic flux density	0.9 T	Compliance, Cms	1.55 mm/N
Magnet weight	0.4 kg	Mechanical loss, Rms	0.5 kg/s
Net weight	0.85 kg	Rated power handling*	50 W

\* IEC 268-5, high-pass Butterworth, 200 Hz, 12 dB/oct.