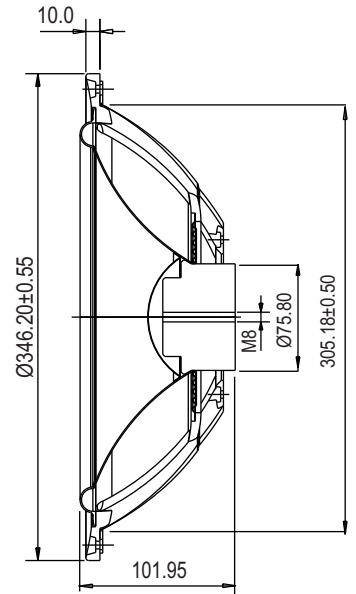
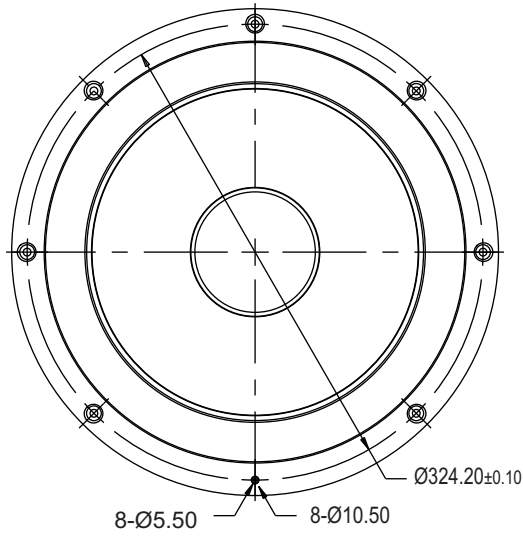


ACOUSTICS

12" SB34NRX-00



Specs :

| | | | |
|---------------------------|---------------------|--------------------------|------------|
| Effective piston area, Sd | 508 cm ² | Mechanical loss, Rms | 3 kg/s |
| Free air resonance, Fs | 9.1 Hz | Mechanical Q-factor, Qms | 11.7 |
| Compliance, Cms | 0.5 mm/N | Equivalent volume, Vas | 183 liters |
| Moving mass incl.air, Mms | 615 g | Net weight | 2.45 kg |

T/S parameters measured on drive units that are broken in.