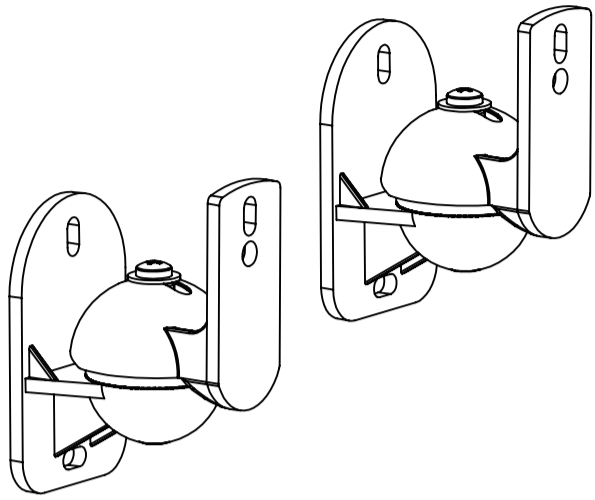
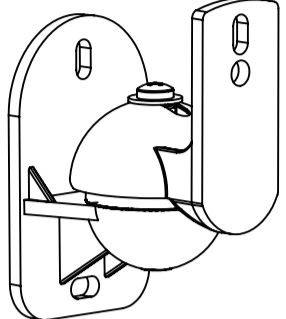
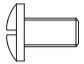

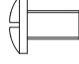

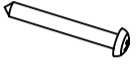



MAX Load: 11 Lbs.

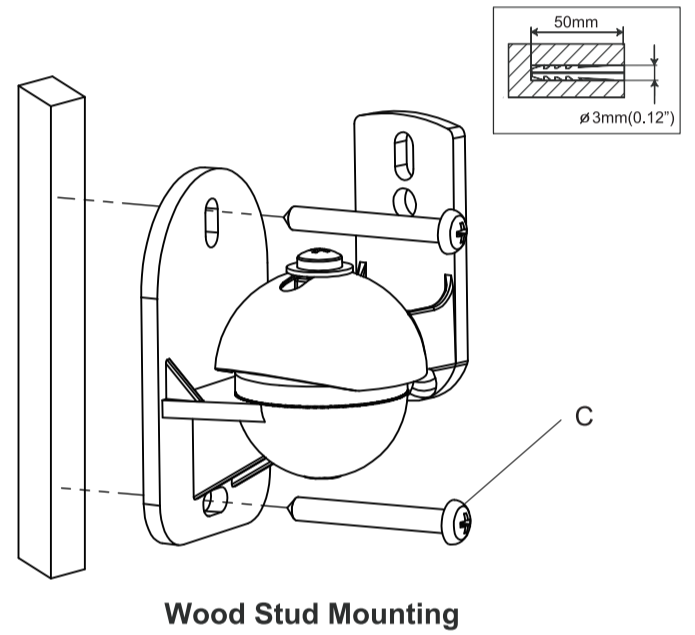
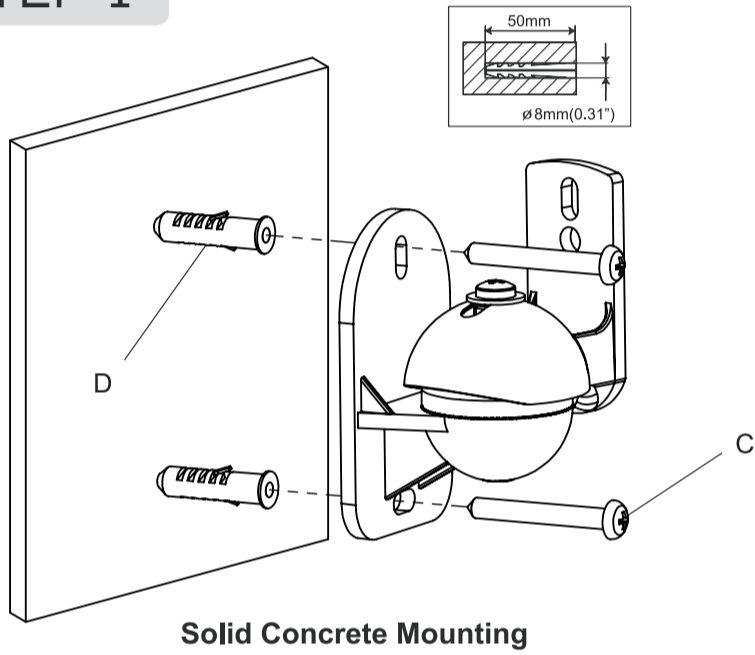


Parts

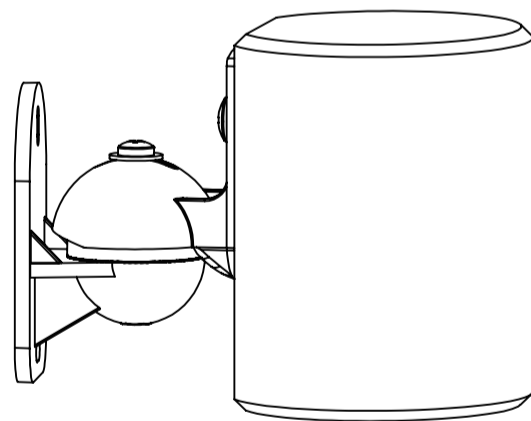
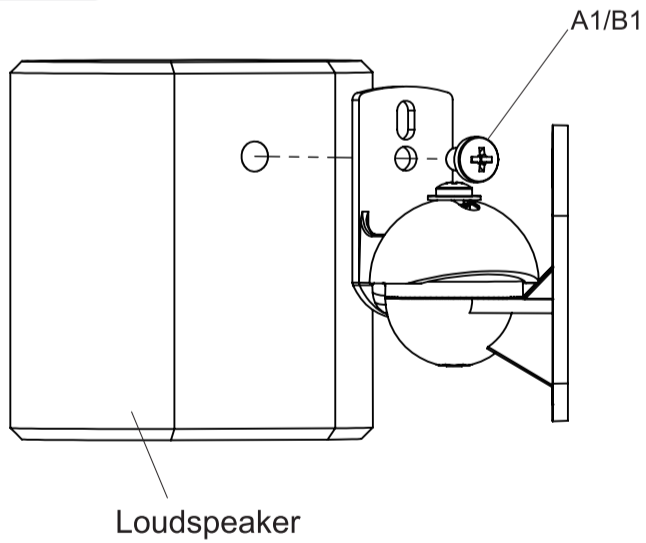


	
(A-1) M5x14 screws(x2)	(A-2) M5 nuts (x2)
	
(B-1) M6x14 screws(x2)	(B-2) M6 nuts (x2)
	
(C) M5x45 Self-tap Screw(x4)	(D) 8x40 Plastic Anchor (x4)

STEP 1



STEP 2



STEP 3

