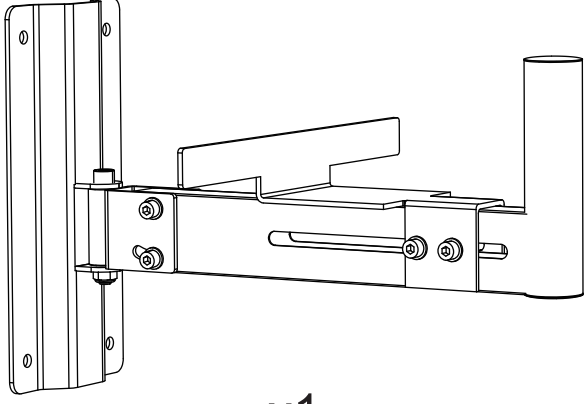
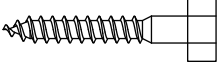



MAX Load: 66 Lbs.



Parts



x1

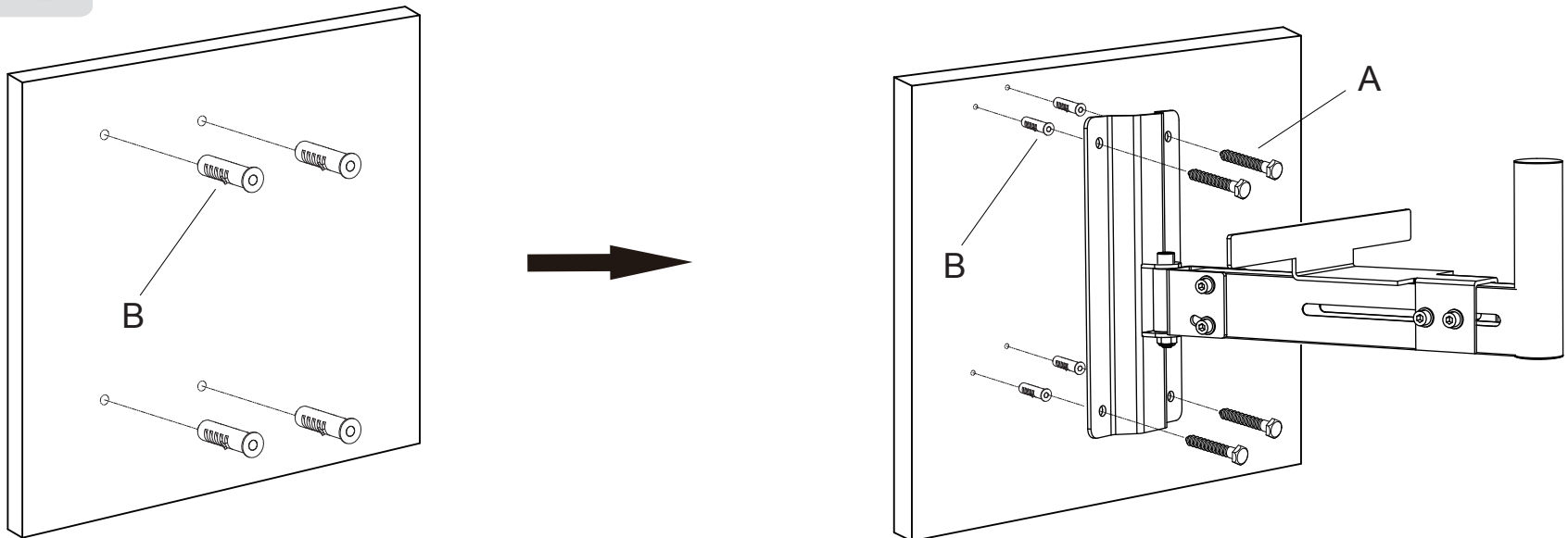



(A) M8x50 Self-tap Screw (4) (B) 10x50 Plastic Anchor (4)

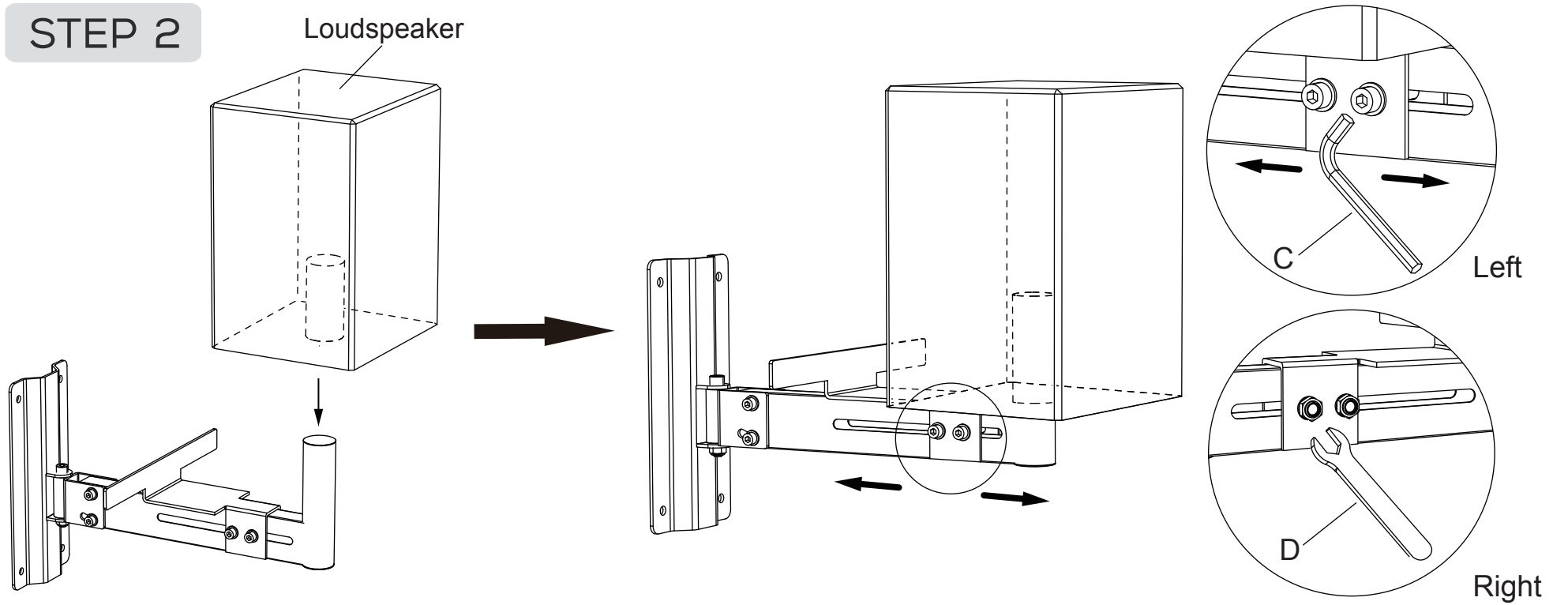



(C) 6mm Wrench (1) (D) 8mm Wrench (1)

STEP 1



STEP 2



STEP 3

