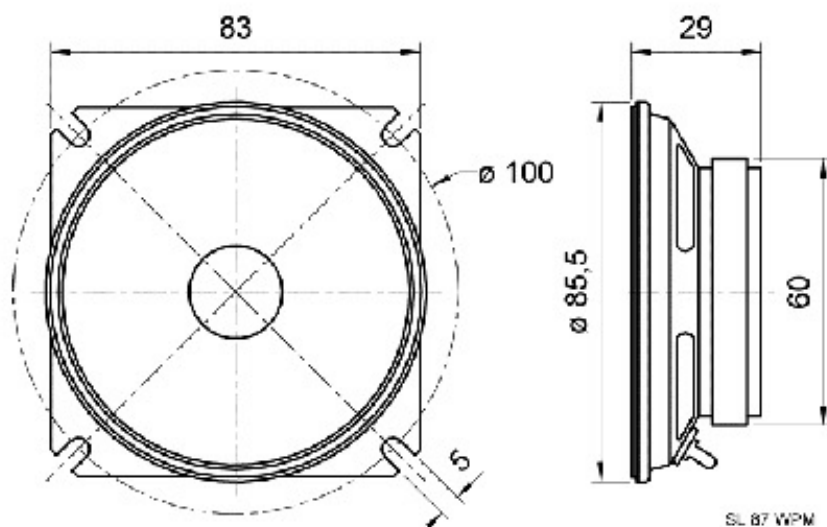
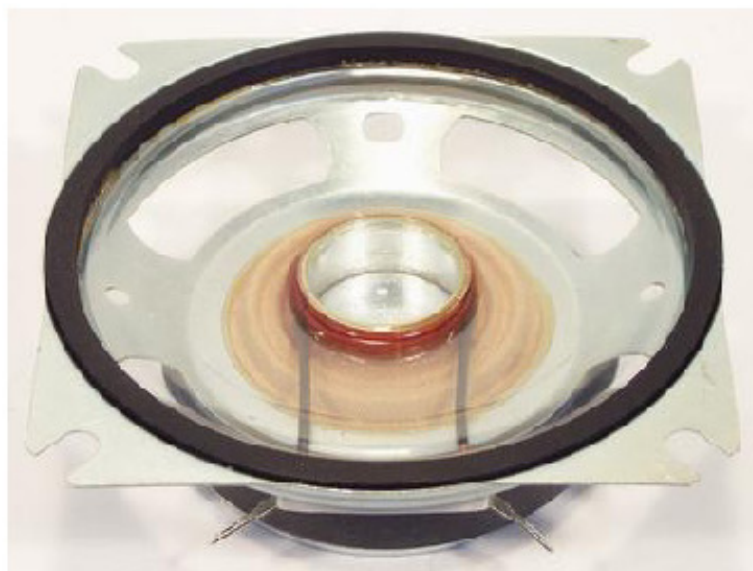


SL87WPM (#2088)

Technical Data:

Rated power	20 W
Maximum power	30 W
Nominal impedance Z	8 Ohm
Frequency response	200–5000 Hz
Mean sound pressure level	89 dB (1 W/1 m)
Maximum cone displacement	3 mm
Resonance frequency f_s	290 Hz
Magnetic induction	0,87 T
Magnetic flux	165 μ Wb
Height of front pole-plate	3 mm
Voice coil diameter	20 mm
Height of winding	5 mm
Cutout diameter	80 mm
Net weight	0,24 kg
Protective system	IP 65
Heat resistance	-40 ... 70 °C



SL 87 WPM
02.02.07

Visaton SL 87 WPM

Frequenzgang und Impedanz

