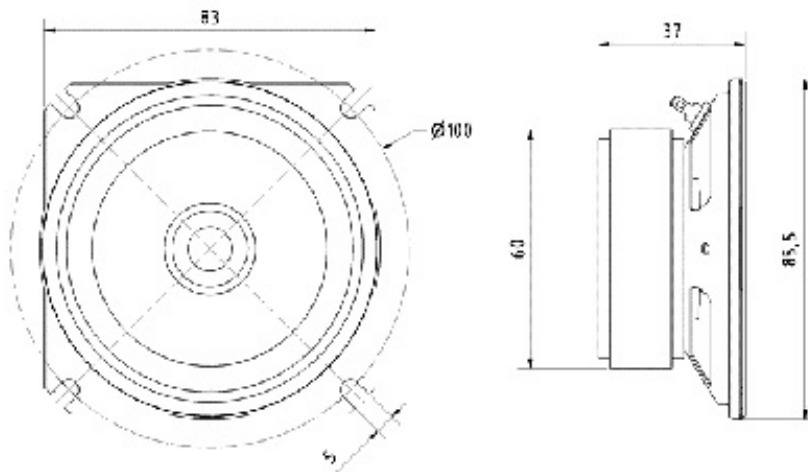


Technical Data:

Rated power	20 W
Maximum power	30 W
Nominal impedance Z	8 Ohm
Frequency response	350–5800 Hz
Mean sound pressure level	94 dB (1 W/1 m)
Resonance frequency fs	550 Hz
Height of front pole-plate	3 mm
Voice coil diameter	20 mm
Cutout diameter	80 mm
Net weight	0,38 kg
Protective system	IP 65
Heat resistance	-40 ... 70 °C



Visaton SL 87 XA

Frequenzgang und Impedanz

