

2-Way Crossover Network

Low-Pass (LP) Filter: 1 required

Type: 3rd-Order Butterworth

Desired Corner Frequency: 1500 Hz

High-Pass (HP) Filter: 1 required

Type: 3rd-Order Butterworth

Desired Corner Frequency: 2200 Hz

C1 = 8.2 μ F, Polypropylene, 0.00567 ohms

C2 = 24 μ F, Polypropylene, 0.00322 ohms

C3 = 47 μ F, Polypropylene, 0.00236 ohms

L1 = 0.33 mH, Air Core (#20), 0.369 ohms

L2 = 0.47 mH, Air Core (#14), 0.134 ohms

L3 = 0.16 mH, Air Core (#14), 0.072 ohms

Tweeter

1.56 dB L-Pad

Rp1 = 1 ohms

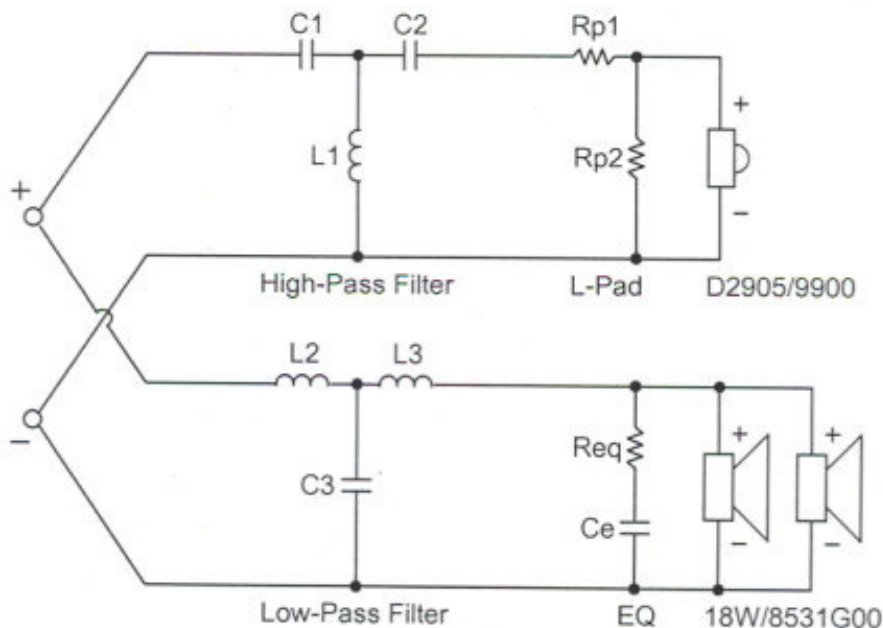
Rp2 = 33 ohms

Woofer

Impedance EQ

Req = 3.6 ohms

Ce = 22 μ F



Loudspeaker Parameters

--General Information--

Company: Scan-Speak

Model: 18W/8531G00

Note/SN:

--Mechanical Parameters--

F_s = 27.5 hertz

Q_{ms} = 5.000

V_{as} = 2.154 cu.ft

C_{ms} = 0.334 in/lb

M_{ms} = 0.617 oz

R_{ms} = 1.337 lbs/sec

X_{max} = 0.256 in

S_d = 23.3 sq.in

Dia = 5.4 in

--Electrical Parameters--

Q_{es} = 0.390

R_e = 5.8 ohms

L_e = 0.3 mH

Z = 8.0 ohms

BL = 6.7 N/A

P_e = 70.0 watts

--Combination Parameters--

Q_{ts} = 0.360

η_0 = 0.219%

Sens = 87.00 dB (2.83 V)

--Multiple Drivers--

Number = 2

Standard

Wiring: parallel

NetZ = 4.0 ohms

NetRe = 2.9 ohms

NetSens = 93.0 dB

Multiple Driver

Custom Vented Box

Parameters

V_b = 2.119 cu.ft

F_b = 33.5 hertz

F_3 = 35.2 hertz

QL = 7.0

Fill = normal

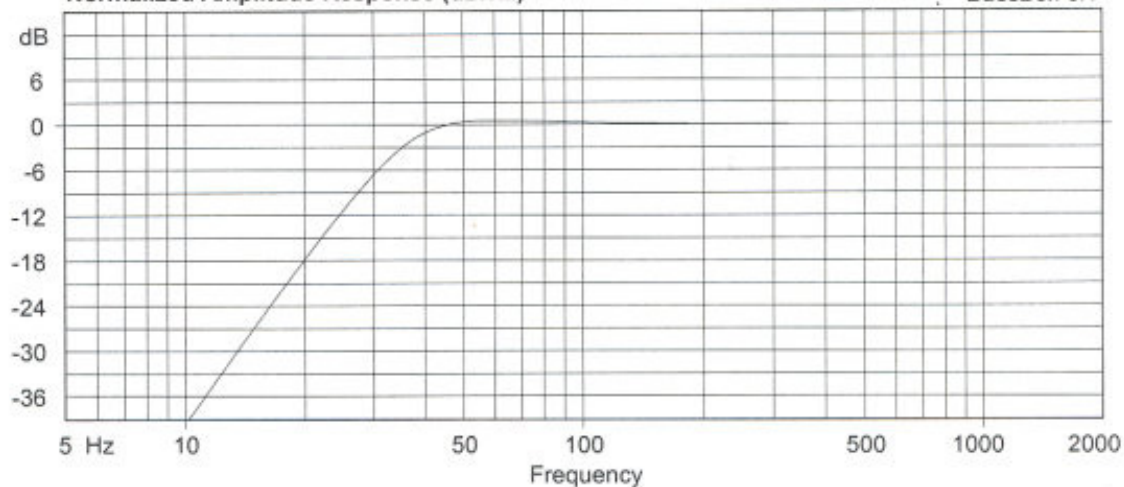
Ports = 1 (round)

D_v = 3.00 in

L_v = 5.00 in

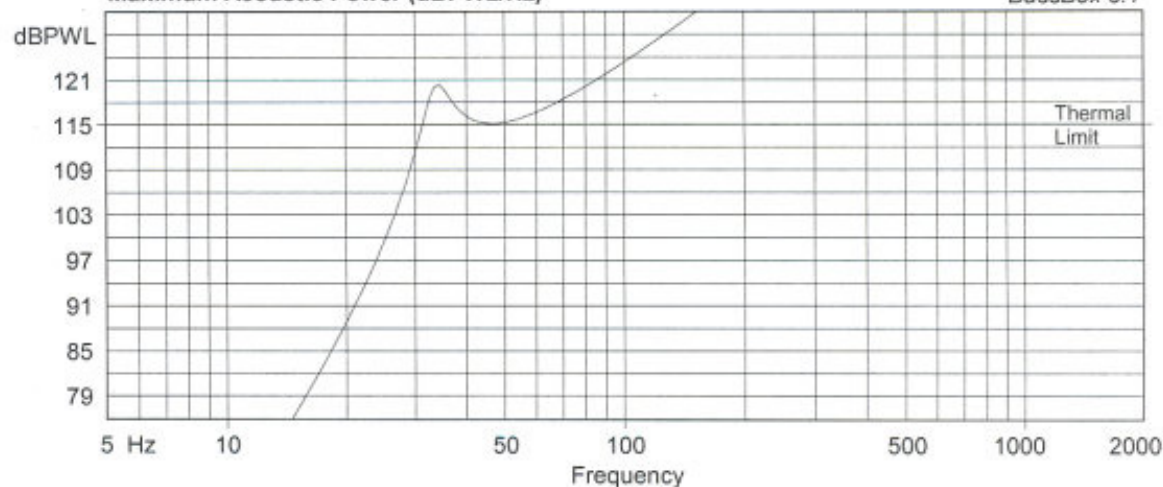
Normalized Amplitude Response (dB/Hz)

BassBox 5.1



Maximum Acoustic Power (dB/PWL/Hz)

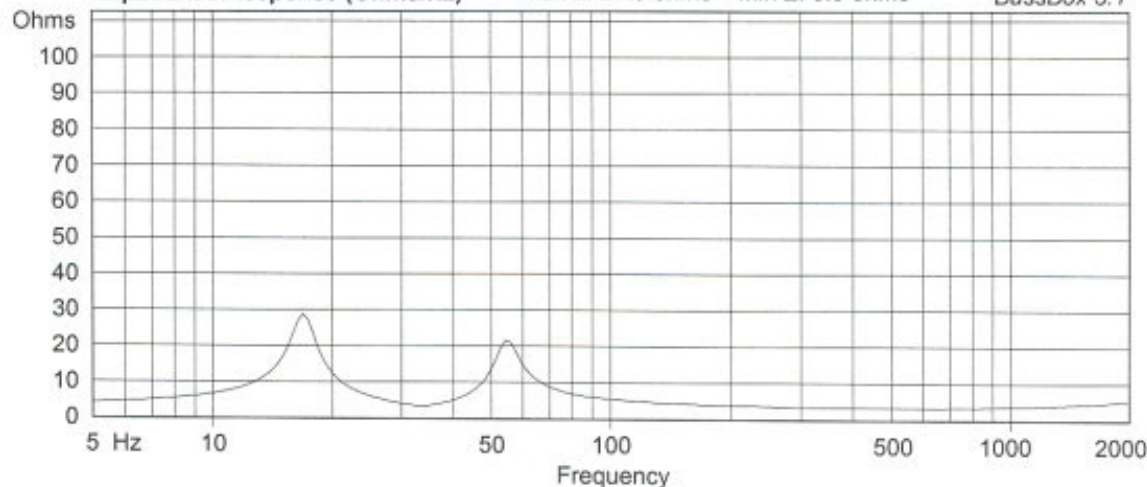
BassBox 5.1



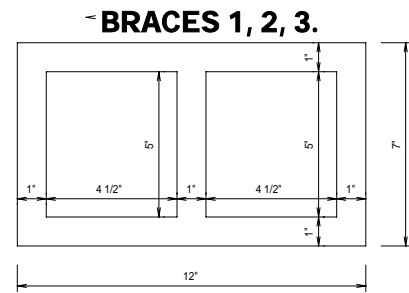
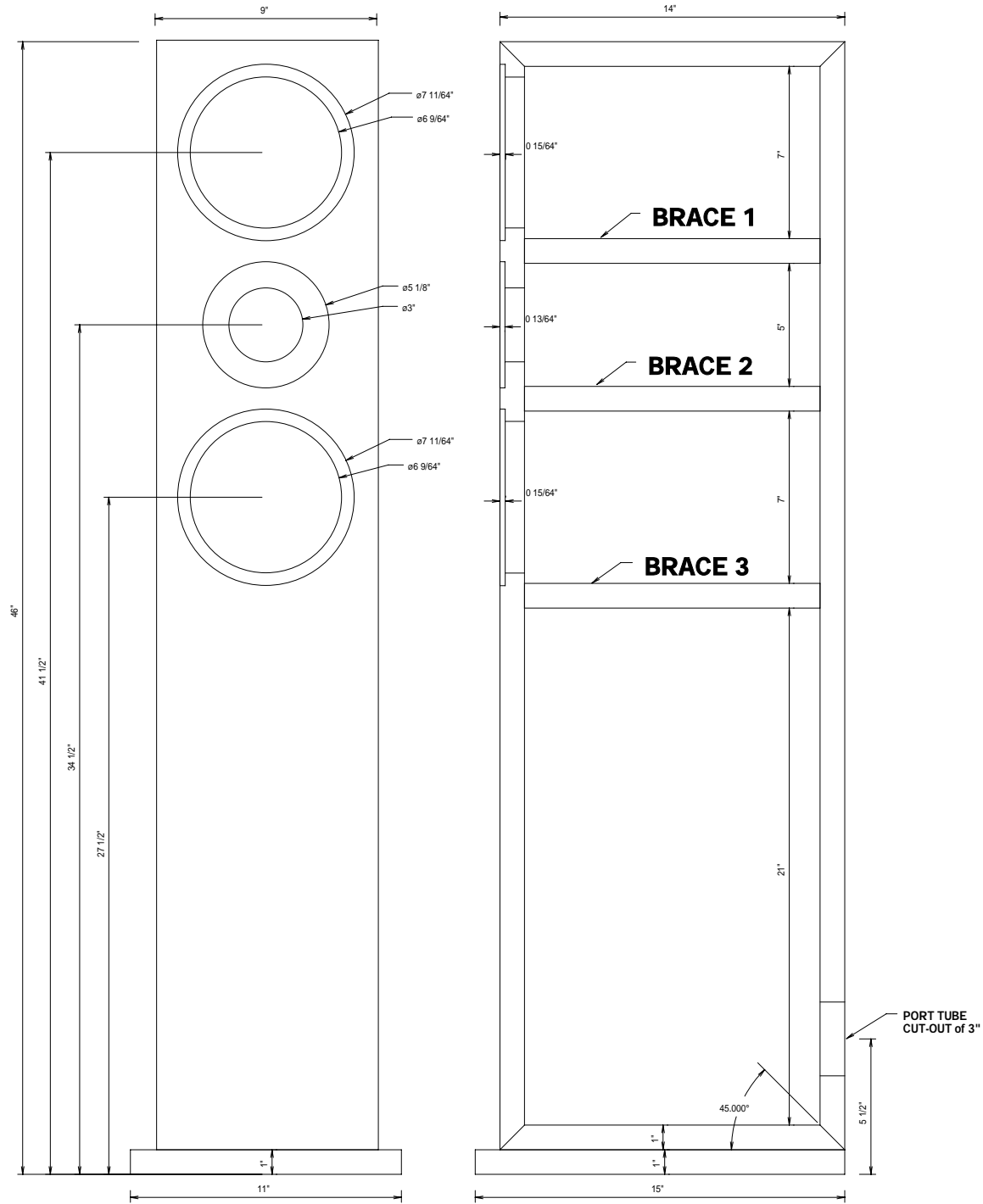
Impedance Response (Ohms/Hz)

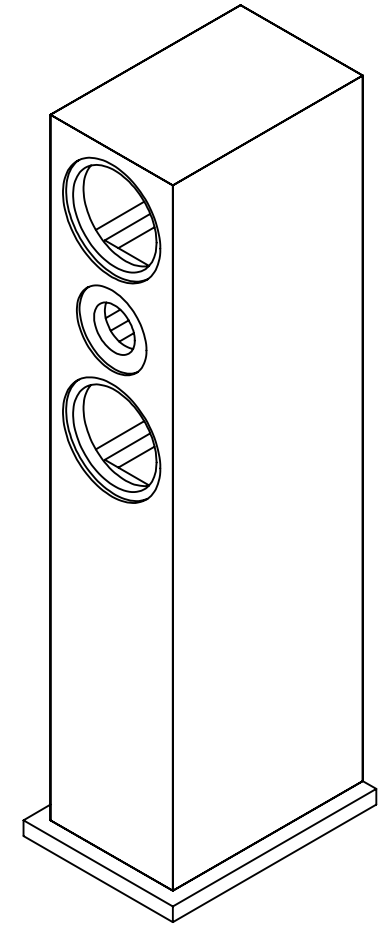
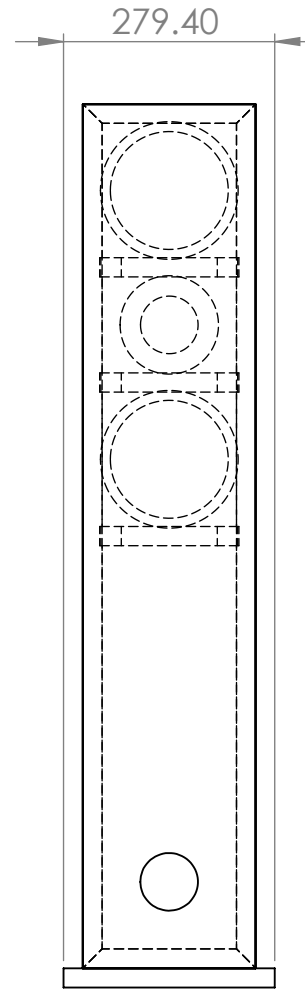
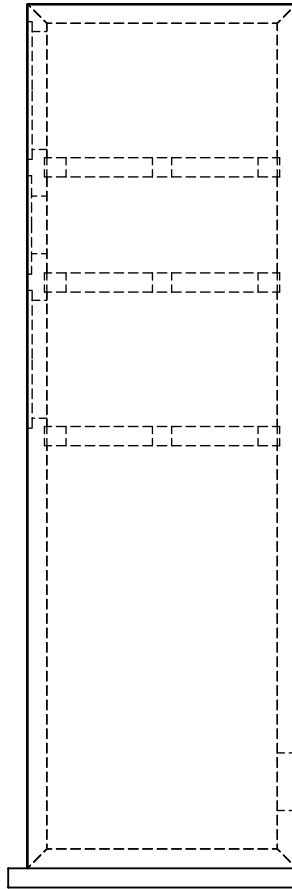
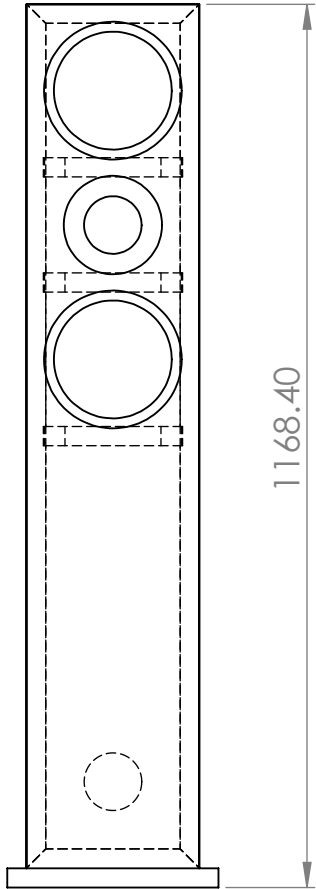
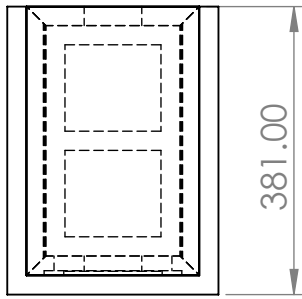
Max Z: 27.9 ohms Min Z: 3.5 ohms

BassBox 5.1

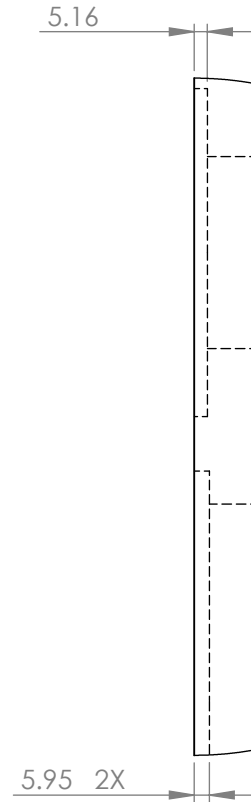
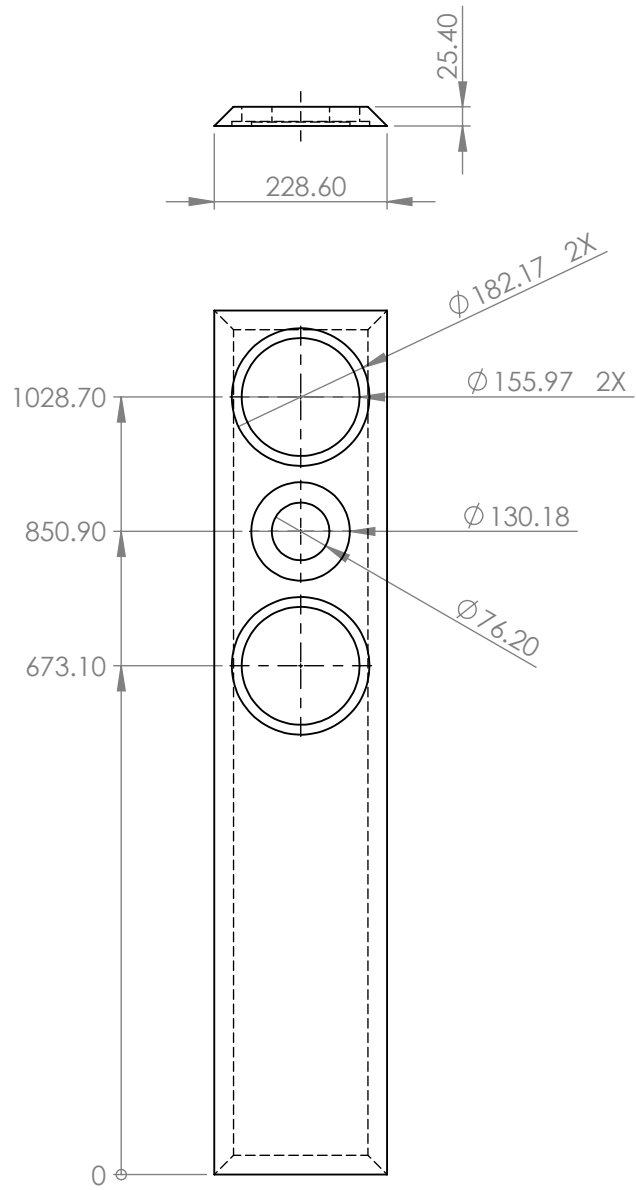


SCAN-SPEAK EXPRESSION





ITEM NO.	PART NUMBER	DESCRIPTION	QTY.
1	SSE - Base		1
2	SSE - Dessous & Dessus		2
3	SSE - Derrière		1
4	SSE - Côté		2
5	SSE - Devant		1
6	SSE - Brace		3



DETAIL A
SCALE 1 : 3

