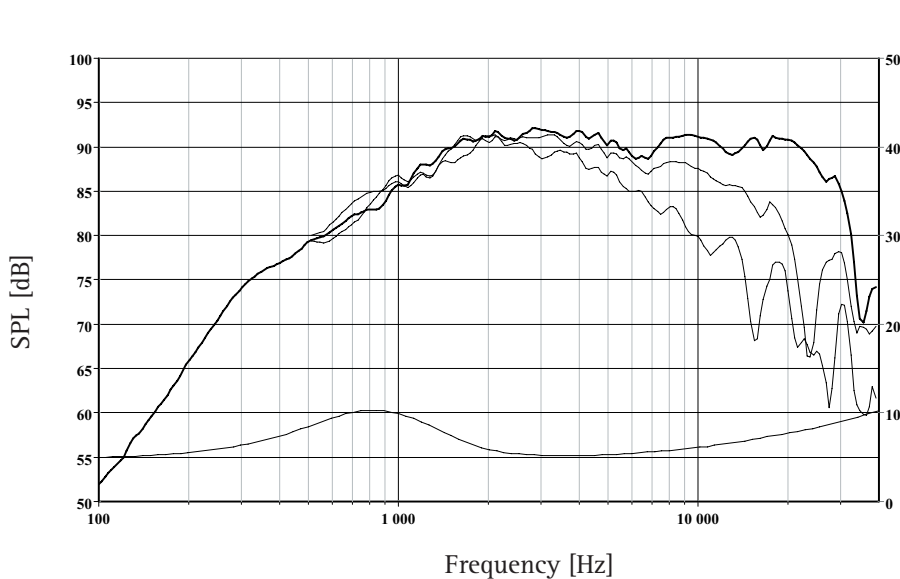
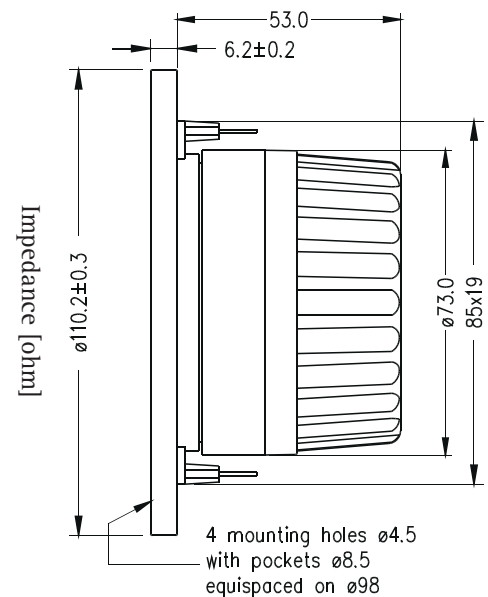


- ↑ The T25CF001 is a 25mm fabric dome with moderately high efficiency.
- An optimally shaped dome and a wide SONOMEX surround, both manufactured by SEAS, ensure excellent performance and consistency.
- Low viscosity magnetic fluid which provides excellent cooling while maintaining a low resonance frequency.
- 6 mm solid metal front plate with a slight loading characteristic which ensures linear frequency response, and a stiff and stable connection to the cabinet.
- A substantial injection-moulded rear chamber, with complex internal shape and reinforcing ribs, which eliminate unwanted chamber resonances and reflections.
- A double magnet system which increases sensitivity and provides better control of the voice coil. This system also reduces the magnetic stray fields, making the T25CF001 an ideal choice in high end A/V applications.



The frequency responses above show measured free field sound pressure in 0, 30, and 60 degrees, mounted in a 0.6m by 0.8m baffle. Input 2.83 V<sub>RMS</sub>, microphone distance 0.5m, normalized to SPL 1m. The impedance is measured without baffle using a 2V sine signal.



Nominal Impedance	6 Ohms	Voice Coil Resistance	4.6 Ohms
Recommended Frequency Range	2000 - 25000 Hz	Voice Coil Inductance	0.05 mH
Short Term Power Handling *	200 W	Force Factor	3.5 N/A
Long Term Power Handling *	90 W	Free Air Resonance	700 Hz
Characteristic Sensitivity (2.83V, 1m)	91 dB	Moving Mass	0.33 g
Voice Coil Diameter	26 mm	Effective Piston Area	7.0 cm <sup>2</sup>
Voice Coil Height	1.5 mm	Magnetic Gap Flux Density	1.8 T
Air Gap Height	2.0 mm	Magnet Weight	0.34 kg
Linear Coil Travel (p-p)	0.5 mm	Total Weight	0.80 kg