

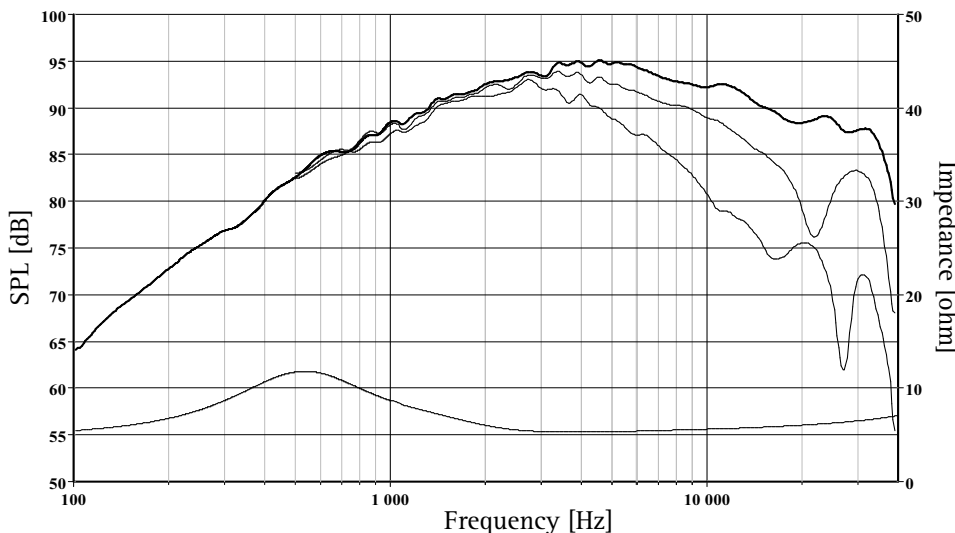
The SEAS T29B001 is an ultra high performance 29mm dome tweeter, featuring high sensitivity and a smooth, extended frequency response.

The dome is made from high purity Beryllium and manufactured to SEAS specifications by Truextent® in the USA. Being extremely stiff and lightweight, this precision dome ensures excellent performance and consistency.

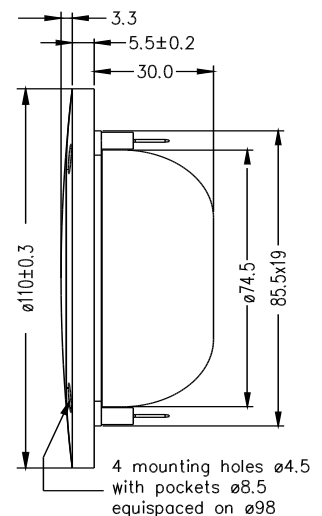
The newly designed magnet system employs a high efficiency Neodymium ring magnet, combined with shorting rings, to reduce non-linear and modulation distortion. A well-damped vented pole and a rigid rear chamber ensure a low resonance frequency and smooth response.

The 1.5 mm voice coil uses flexible lead-out wires and venting holes in the aluminium coil former, reducing noise to a minimum.

A 7 mm thick precision die-cast aluminium front plate with moderate horn loading ensures linear frequency response and represents an extremely stable platform for the magnet system and the moving parts.



The frequency responses above show measured free field sound pressure in 0, 30, and 60 degrees, mounted in a 0.6m by 0.8m baffle. Input 2.83 V_{RMS}, microphone distance 0.5m, normalized to SPL 1m. The impedance is measured without baffle using a 2V sine signal.



| | | | |
|--|-----------------|---------------------------|-------------------|
| Nominal Impedance | 6 Ohms | Voice Coil Resistance | 4.6 Ohms |
| Recommended Frequency Range | 2000 - 25000 Hz | Voice Coil Inductance | 0.01 mH |
| Short Term Power Handling * | 200 W | Force Factor | 3.5 N/A |
| Long Term Power Handling * | 90W | Free Air Resonance | 533 Hz |
| Characteristic Sensitivity (2.83V, 1m) | 93.6 dB | Moving Mass | 0.30 g |
| Voice Coil Diameter | 26 mm | Effective Piston Area | 8 cm ² |
| Voice Coil Height | 1.5 mm | Magnetic Gap Flux Density | 1.72 T |
| Air Gap Height | 2.5 mm | Magnet Weight | 186 g |
| Linear Coil Travel (p-p) | 1.0 mm | Total Weight | 0.39 kg |