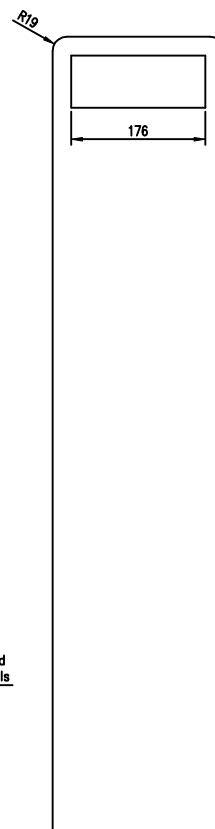
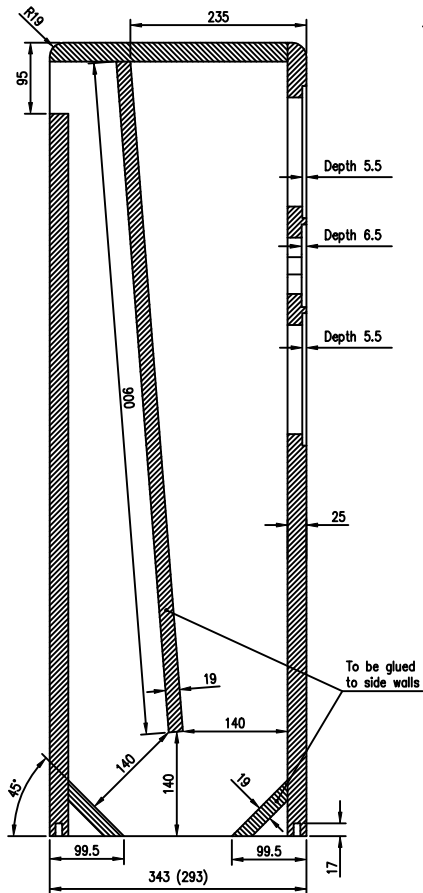
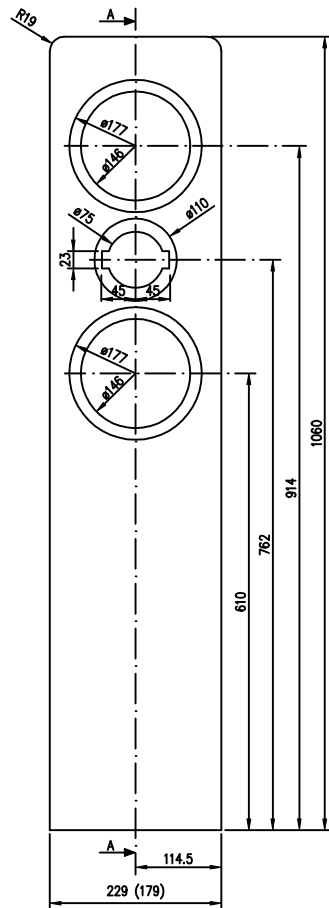
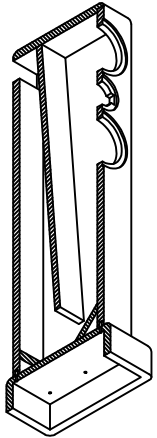
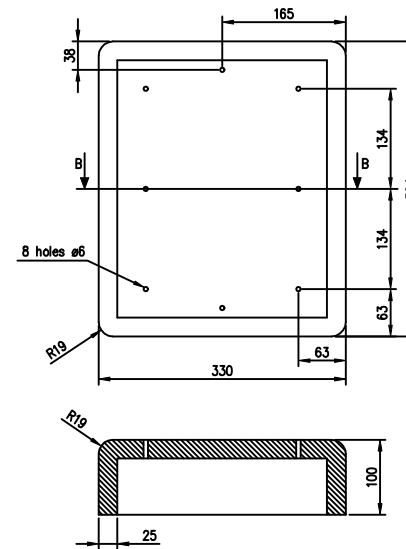


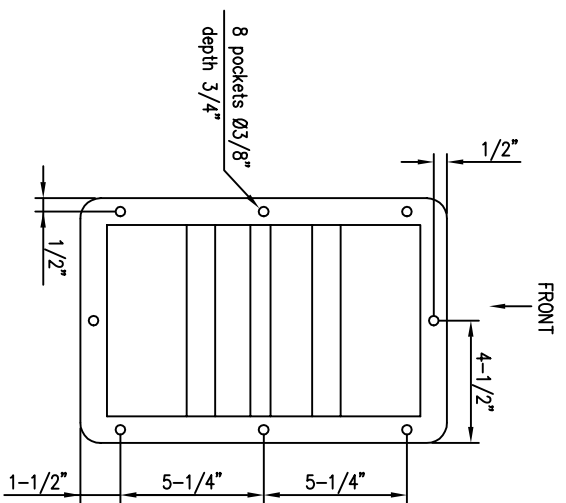
MATERIALE: 19mm MDF - transmission walls
25mm MDF - cabinet and base



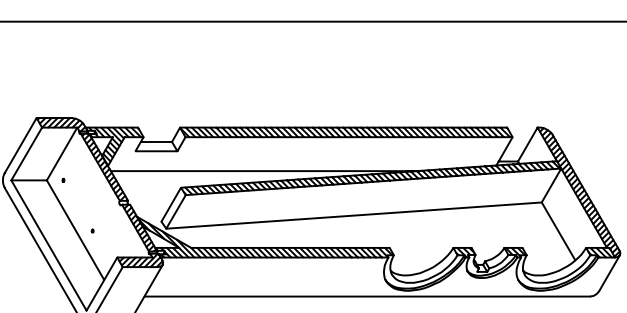
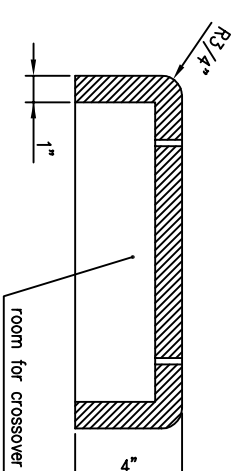
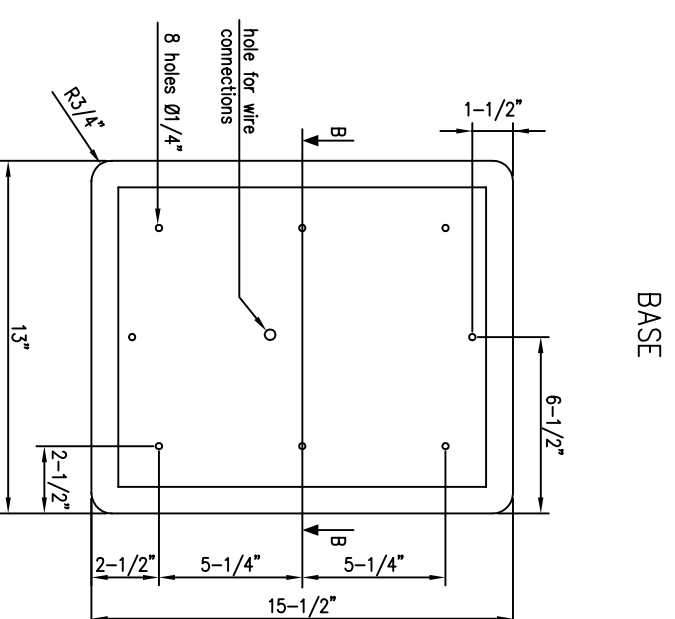
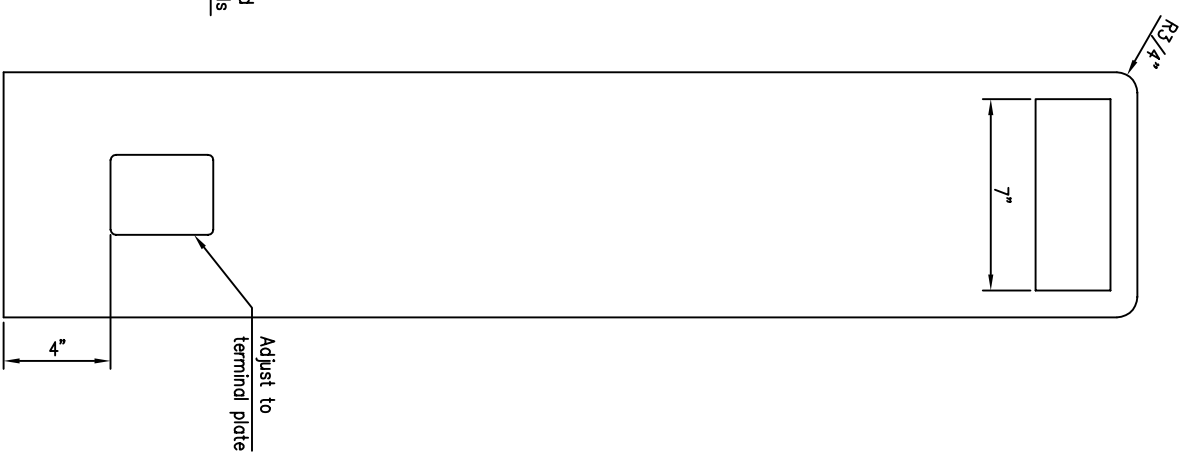
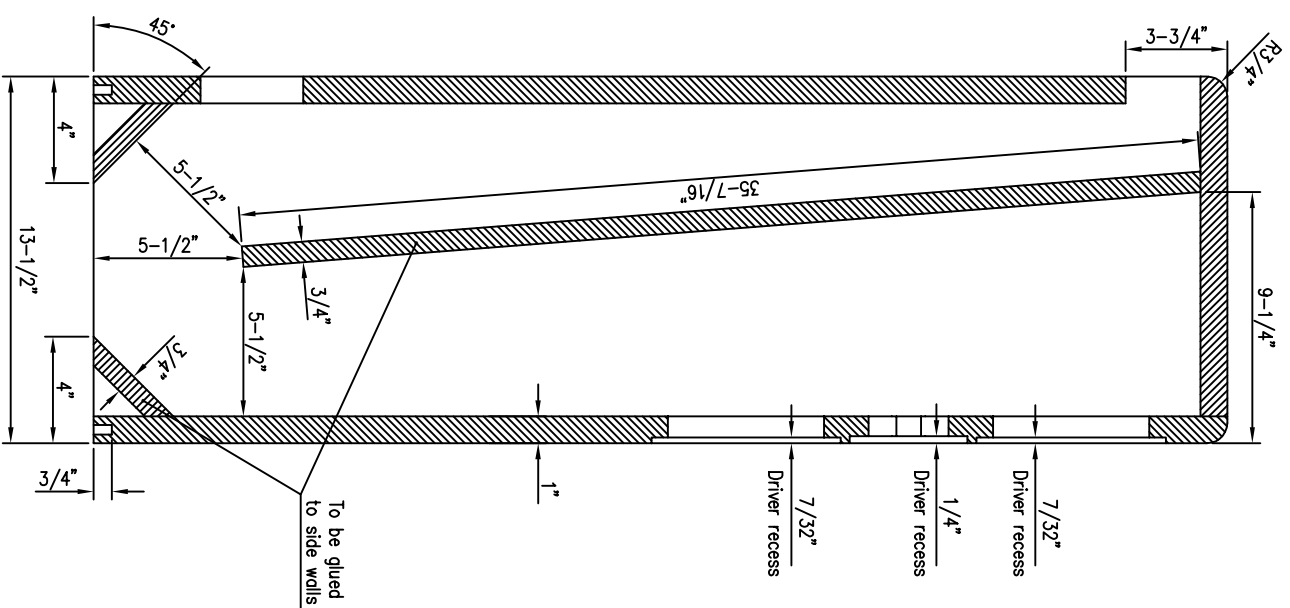
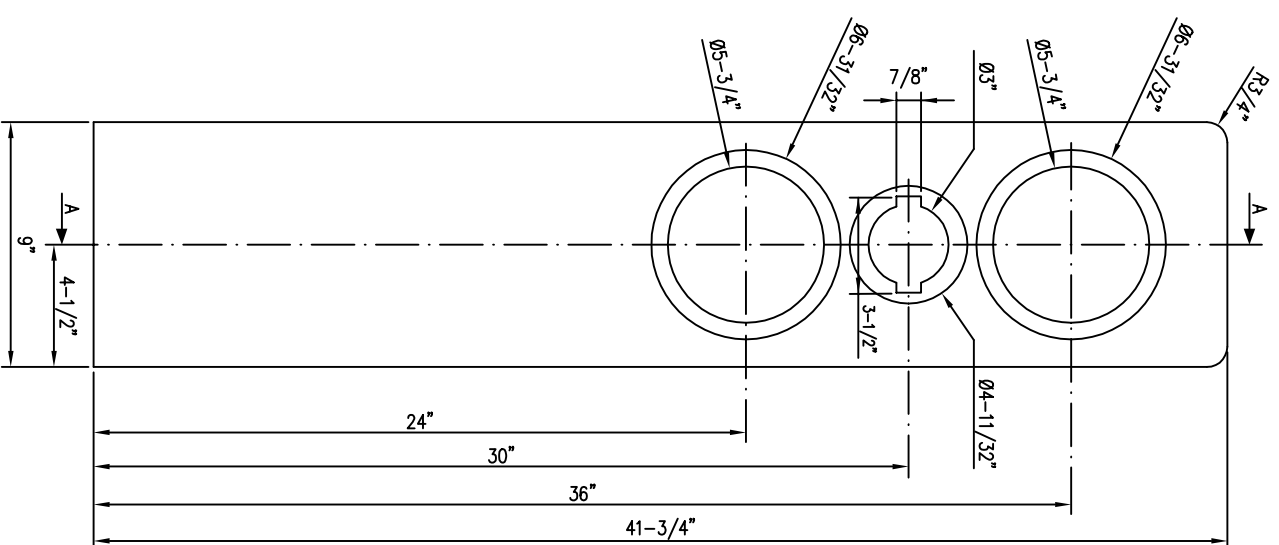
BASE



SP									
Drp									
Anfall	Benevnelse		Nr.	Tegn.nr.	Matr.	Bemærkning			
Tegnet	Dato	Sign.	seas FABRIKKER A.S.						
Kontrollert	02.01.2001	T.J.							
Godkjent									
W/lestokk	1:5		CABINET THOR			K00218			
Erstatning for:						Erstattet av:			



MATERIAL: $3/4"$ MDF – transmission walls
 $1"$ MDF – cabinet and base
 The base must be removable to adjust filling materials.
 Use threaded inserts and machine screws to secure base.



Ant.	Endringer	Dato	Sign.
1:5	Wristokk		
CABINET THOR		K00218	
SEALS FABRIKKER A.S.		Erstating for: K00218	
Tegnert		29.11.2001	
Kontrollert		T.L.	
Godkjent			
Wristokk			
Antall		Bemerkelse	
Dato		Sign.	
Nr.		Tegn.nr.	
Mater.		Bemerkning	