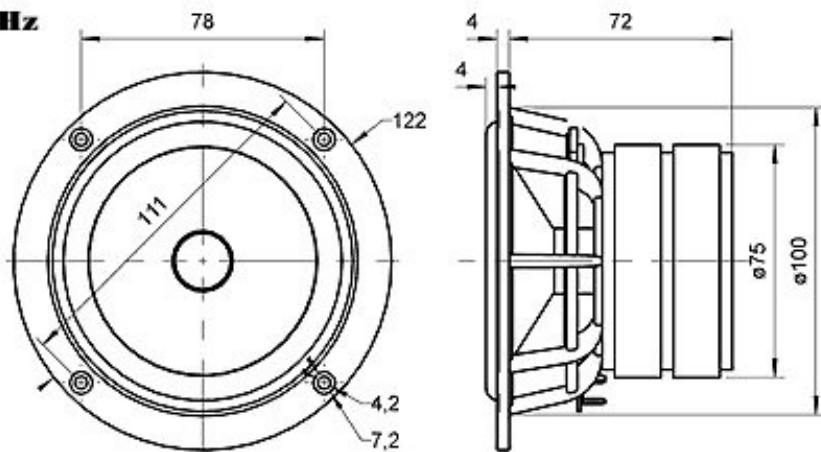


Sensitivity (2.83v/1m)	86 dB
Frequency range	62 Hz - 8 KHz
Free air resonance, fs	62 Hz
DC resistance, Re	6.0 Ohms
Voice coil inductance, Le	.7 mH
Moving mass, md	4 g
Force factor, Bl	4.8
Equivalent volume, Vas	6.92 Ltrs
Mechanical Q-factor, Qms	7.05
Electrical Q-factor, Qes	0.40
Total Q-factor, Qts	0.38
X-max	+/- 2.5 mm
Voice coil diameter	20 mm
Rated power handling	40 W
Net weight	1.05 Kg



TI 100



Zerfallendiagramm TI 100

