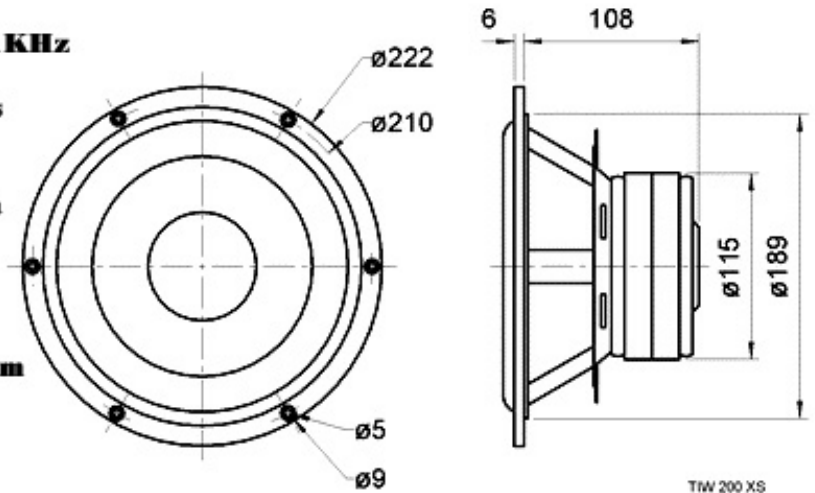


Sensitivity (2.83v/1m)	84 dB
Frequency range	28 Hz - 1KHz
Free air resonance, fs	28 Hz
DC resistance, Re	5.9 Ohms
Voice coil inductance, Le	1.6 mH
Moving mass, md	33 g
Force factor, Bl	1.1 Telsa
Equivalent volume, Vas	58 Ltrs
Mechanical Q-factor, Qms	8.78
Electrical Q-factor, Qes	0.41
Total Q-factor, Qts	0.39
X-max	+/- 11 mm
Voice coil diameter	38 mm
Rated power handling	120 W
Net weight	3.5 Kg



TIW 200 XS
16.01.03

