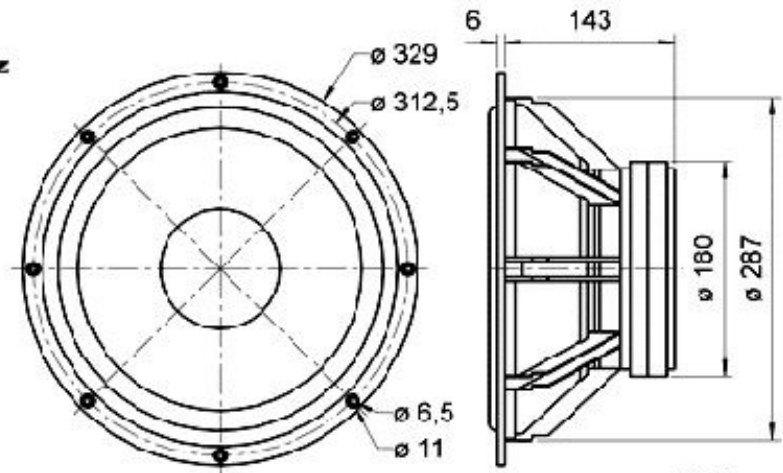


<b>Sensitivity (2.83v/1m)</b>	<b>90 dB</b>
<b>Frequency range</b>	<b>25 Hz - 2 KHz</b>
<b>Free air resonance, fs</b>	<b>25 Hz</b>
<b>DC resistance, Re</b>	<b>5.6 Ohms</b>
<b>Voice coil inductance, Le</b>	<b>1.7 mH</b>
<b>Moving mass, md</b>	<b>92 g</b>
<b>Force factor, Bl</b>	<b>16.5 Telsa</b>
<b>Equivalent volume, Vas</b>	<b>160 Ltrs</b>
<b>Mechanical Q-factor, Qms</b>	<b>4.59</b>
<b>Electrical Q-factor, Qes</b>	<b>0.30</b>
<b>Total Q-factor, Qts</b>	<b>0.28</b>
<b>X-max</b>	<b>+/- 7.5 mm</b>
<b>Voice coil diameter</b>	<b>65 mm</b>
<b>Rated power handling</b>	<b>300 W</b>
<b>Net weight</b>	<b>7 Kg</b>



TIW 300  
28.06.04

