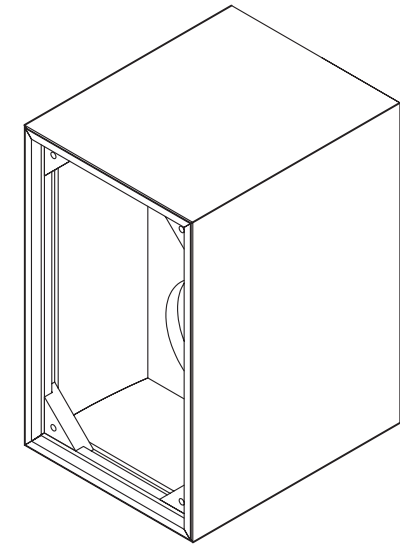
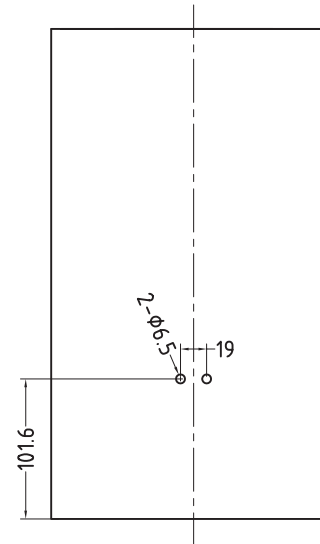
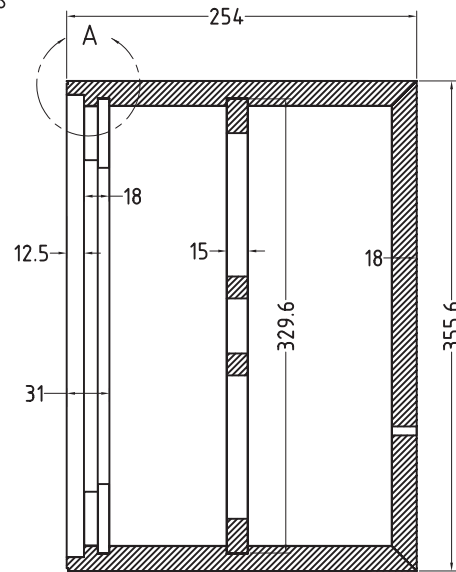
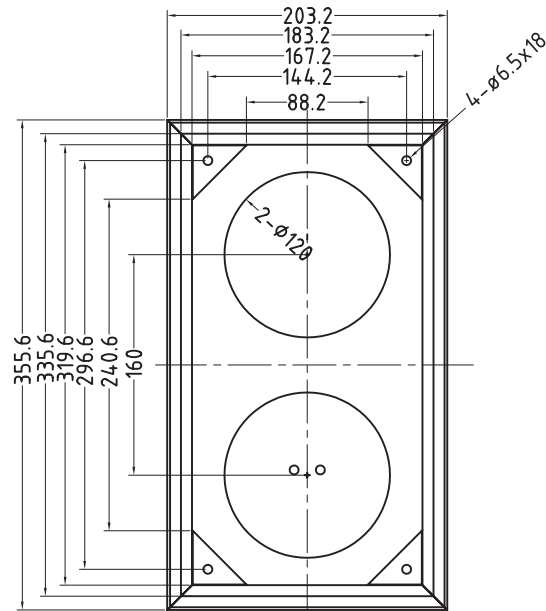


A section

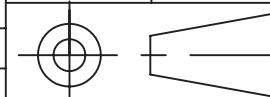
Note:

1. Net internal volume 11 liters (0.387 ft<sup>3</sup>)
2. Brace is made of 15mm MDF, the rest 18mm MDF
3. Tolerance is ±0.2mm
4. Available in high gloss black (BK), cherry veneer (CH), and maple veneer (MA)
5. Replacement baffles and grills also available



© Dayton Audio® 2008

RevNo	Revision note	Date	Signature	Checked	Approved	Designed by	Checked by	Approved by	Date	Scale	Edition
1:						AH	BKM	KK	2/2008	None	A
2:											
3:											
4:											

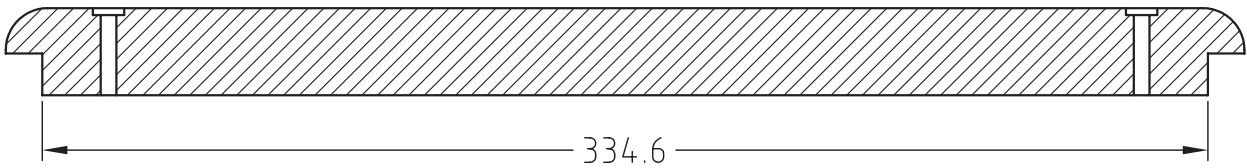
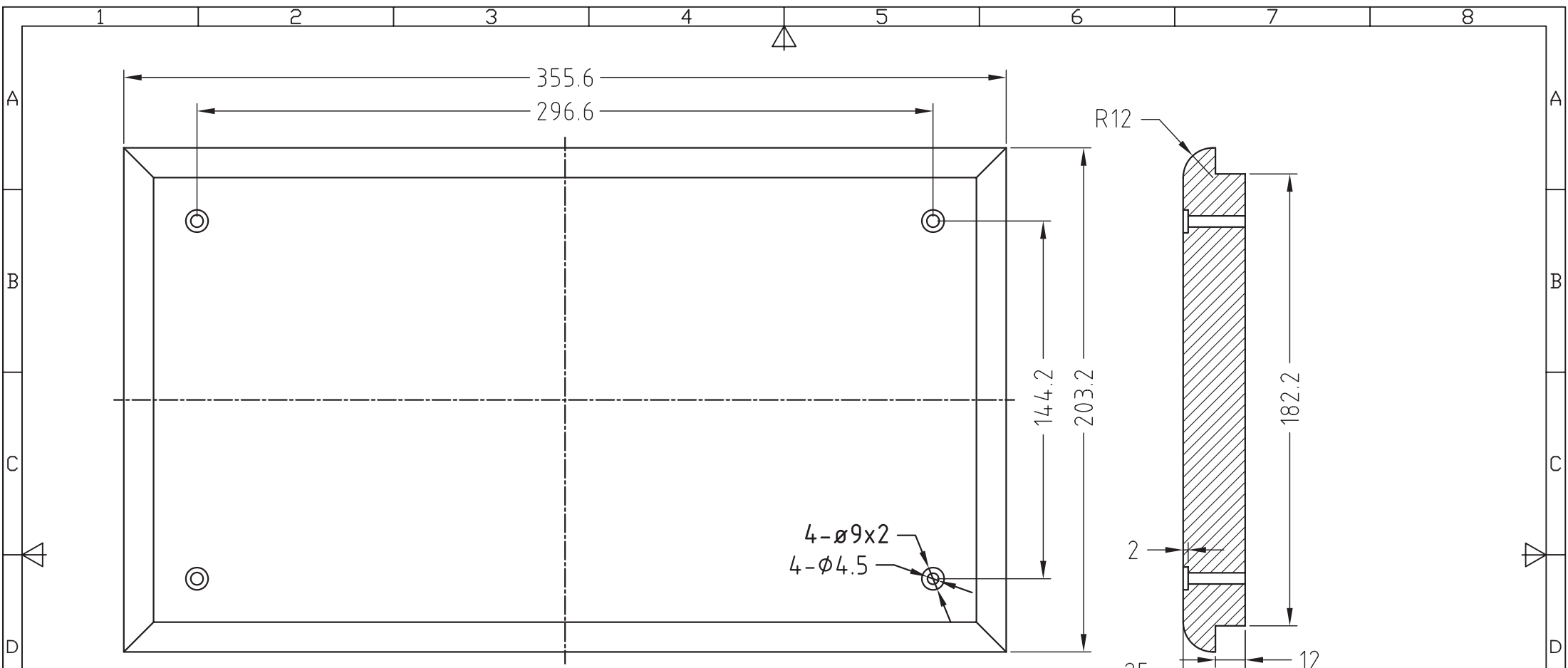


Model: TW-0.38

Name: .38 ft<sup>3</sup> Cabinet

Unit  
mm

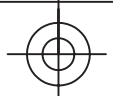
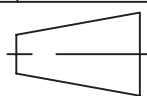
Sheet  
1 of 3

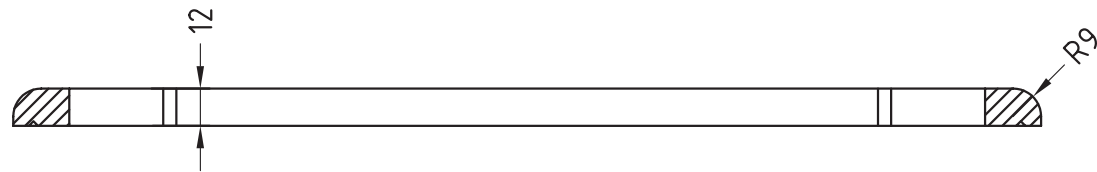


**Note:**  
 1. Baffle is made of 25mm MDF  
 2. Surface treatment - semi-black lacquer  
 3. Tolerance is ±0.2mm



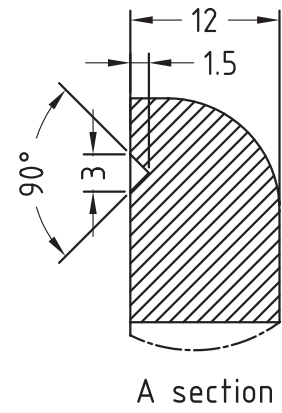
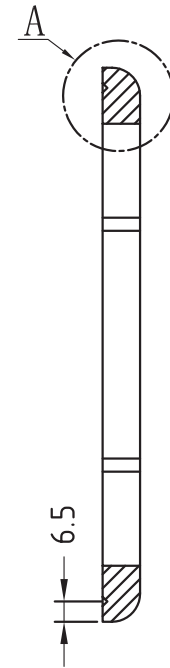
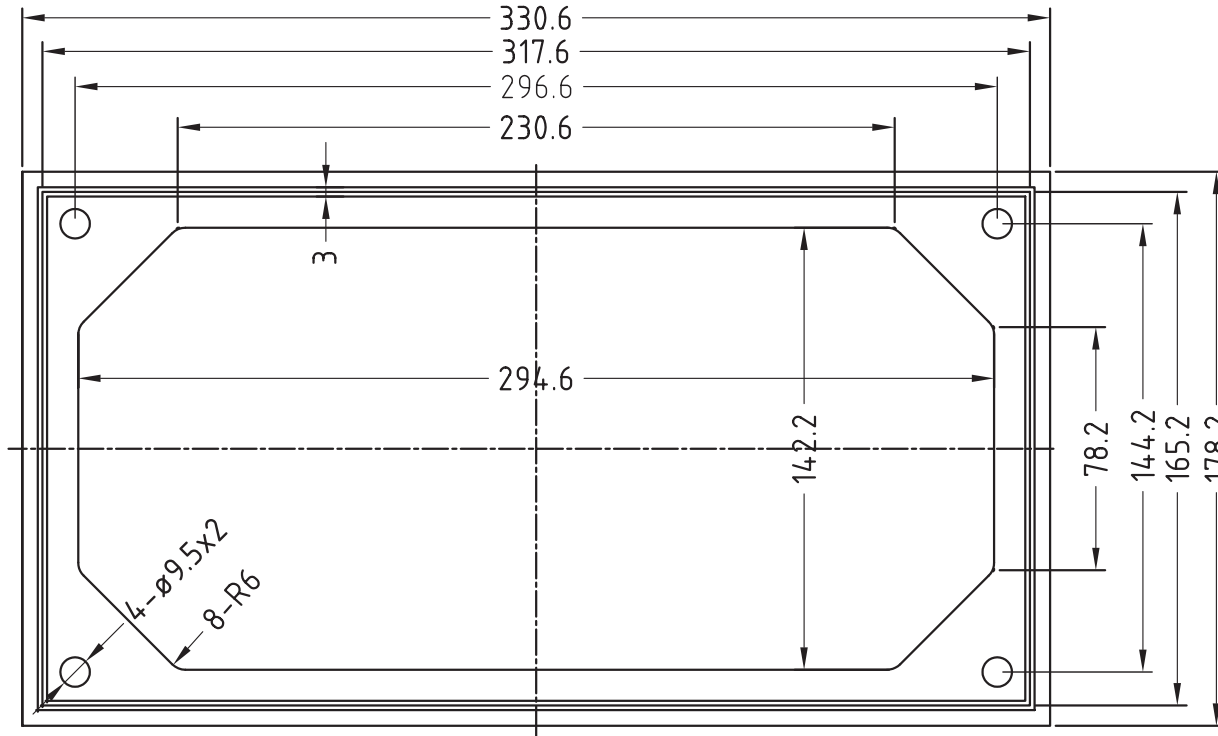
© Dayton Audio® 2008

RevNo	Revision note	Date	Signature	Checked	Approved	Designed by	Checked by	Approved by	Date	Scale	Edition
1:						AH	BKM	KK	2/2008	None	A
2:						 	Model: MB38				Unit mm
3:					Name: Baffle for .38 ft <sup>3</sup> Cabinet				Sheet 2 of 3		
4:											



Note:

1. Speaker frame is made of 12mm MDF
2. Frame surface treatment - semi-black lacquer
3. Covered in black speaker cloth
4. Neodymium magnet grill fasteners
5. Magnets line up with screws on baffle
6. Tolerance is  $\pm 0.2\text{mm}$



© Dayton Audio® 2008

RevNo	Revision note	Date	Signature	Checked	Approved	Designed by	Checked by	Approved by	Date	Scale	Edition
1:						AH	BKM	KK	2/2008	None	A
2:											
3:											
4:											
								Model: MG38			Unit mm
						Name: Grill for .38 ft <sup>3</sup> Cabinet					Sheet 3 of 3