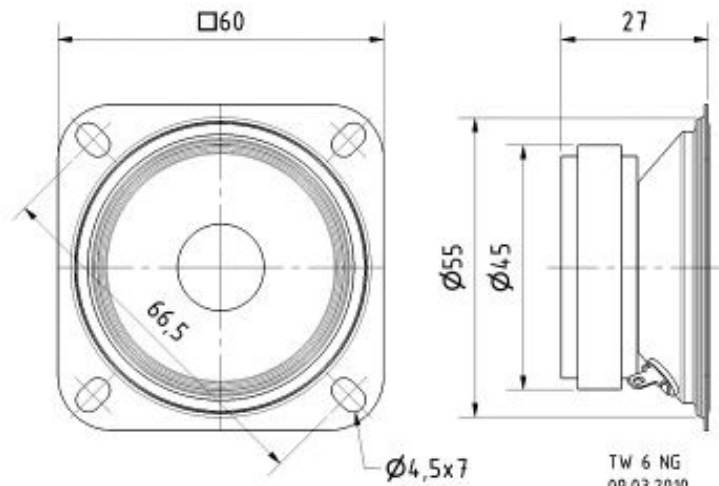


Technical Data:

Nominal power handling with high pass	60 W (12 dB/Okt.; 5000 Hz)
Peak power handling with high pass	100 W (12 dB/Okt.; 5000 Hz)
Nominal impedance Z	8 Ohm
Frequency response	1000–30000 Hz
Mean sound pressure level	91 dB (1 W/1 m)
Opening angle (-6 dB)	97°/8000 Hz
Excursion limit	+/-0,5 mm
Resonance frequency fs	1500 Hz
Magnetic induction	0,8 T
Magnetic flux	70 μWb
Height of front pole-plate	2,5 mm
Voice coil diameter	14 mm
Height of winding	2,5 mm
Cutout diameter	56 mm
Net weight	0,14 kg
D.C. resistance Rdc	6,5 Ohm
Effective piston area Sd	17 cm²
Inductance of the voice coil L	0,17 mH



TW 6 NG
09.03.2010

Visaton TW 6 NG - 8 Ohm

Frequenzgang und Impedanz

