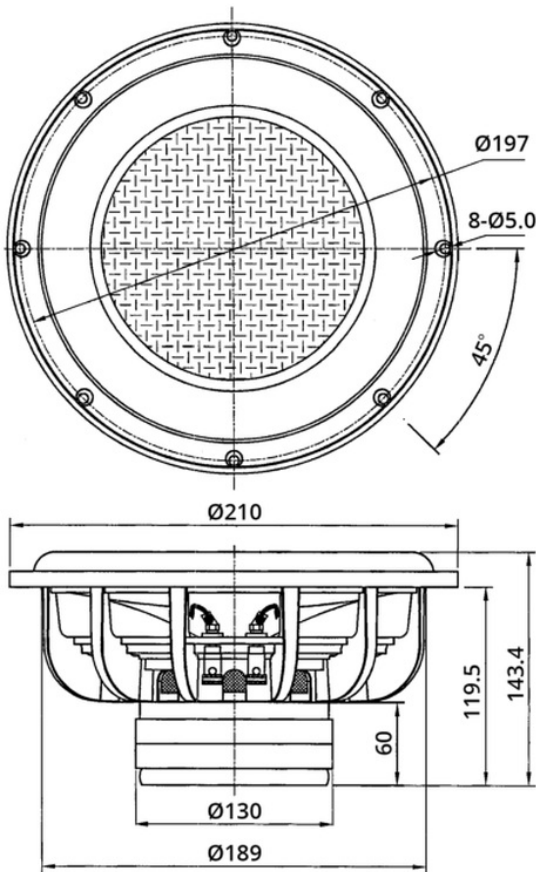




UM8-22 8" Ultimax DVC Subwoofer 2 Ohms Per Coil

UM8-22



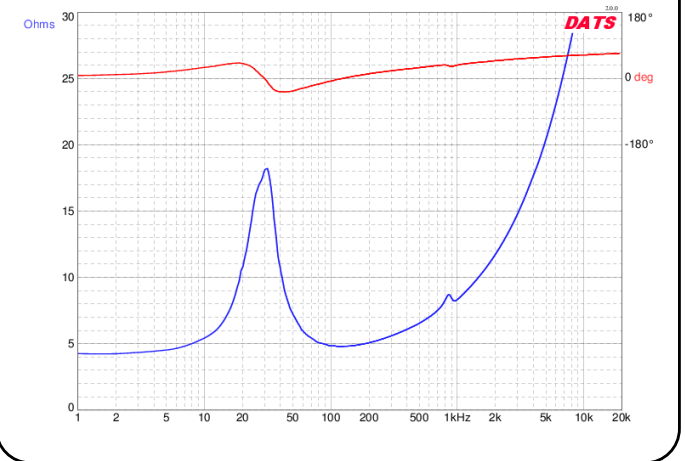
PARAMETERS

Impedance	2+2 ohms
Re	4.2 ohms
Le	1.14 mH
Fs	31.6 Hz
Qms	2.51
Qes	0.75
Qts	0.58
Mms	74.5g
Cms	0.33 mm/N
Sd	211.2 cm ²
Vd	359.1 cm ³
BL	9.1 Tm
Vas	21.30 liters
Xmax	16.0 mm
VC Diameter	2"
SPL	84.2 dB @ 2.83V/1m
RMS Power Handling	300 watts
Usable Frequency Range (Hz)	30 - 800 Hz

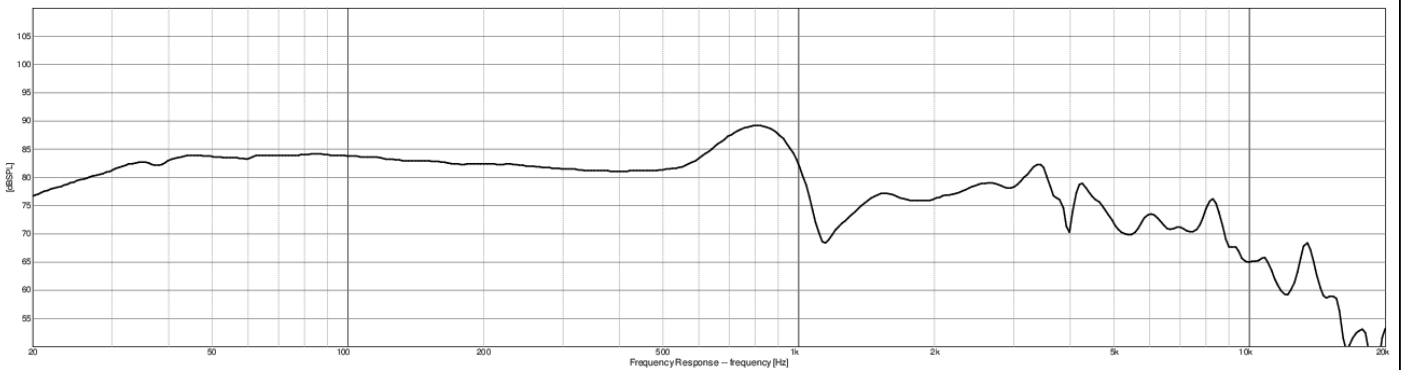
FEATURES

- Thick, one-piece Nomex honeycomb covered cone with woven heavy-duty glass-fiber
- Dual linear stiffness spiders limit distortion and rocking modes
- Tall-boy rubber surround for extra-long linear excursion without reducing cone surface area
- Black anodized aluminum former and black pole improves heat dissipation
- 300 watts RMS power handling

IMPEDANCE/PHASE



FREQUENCY RESPONSE



Note: 1/24th octave smoothing - nearfield response included in graph below 450 Hz.

Black = 0°