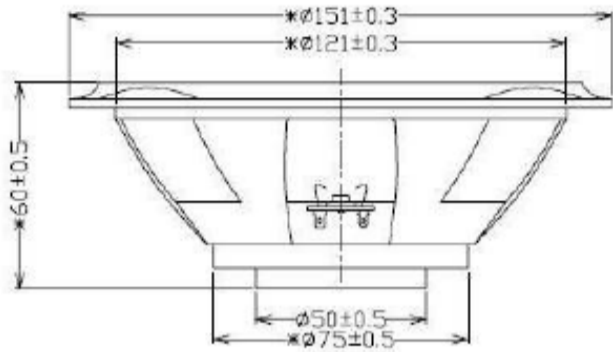
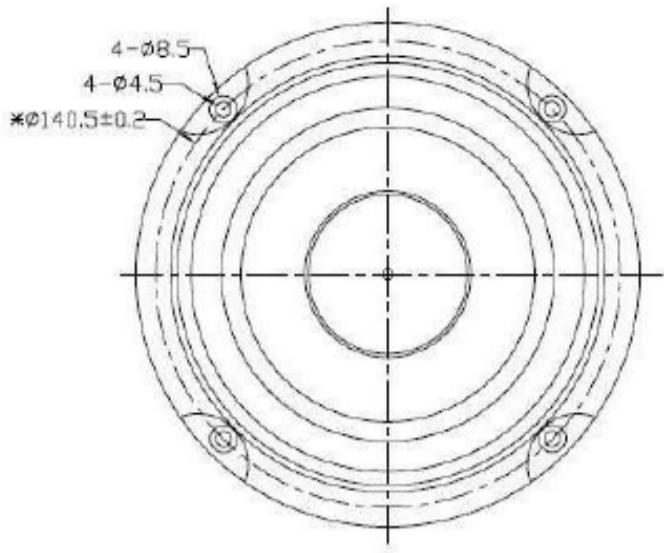


# Woofer

# Model :UR151B4-LJ14M



## Specifications & Thiele/Small Parameters

Impedance	: 4 Ohm	
Minimum Frequency Response	: 43Hz	
Reproduction Frequency Response	: Fo~5K	
S.P.L.	: 86.5 dB/W(m)	
Rated Input	: 15 W	
Music Power	: 20 W	
Equivalent Diagram Radius	: 58mm	
Equivalent Mass	: 13.1g	
Magnet Weight	: 55g	
Net Weight	: 750g	
Fs	: 43.1 Hz	
Re	: 3.6 Ohm	
Mms	: 14.2g	
BL	: 6.5TM	
Qts	: 0.32	
Qms	: 6.42	
Qes	: 0.33	
Vas	: 12.1Ltr	
Xmax	: 5.3mm	
no	: 0.28%	
Material	Frame	: Cast
	Cone	: Aluminum(Black)
	Surround	: RUBBER
	Damper	: Conex+Cotton (4Hole)
	VC DIA	: 38mm KAP 0.28 SV
	Magnet	: Neodymium
	Center Cap	: AL Phase Plug (Black)

