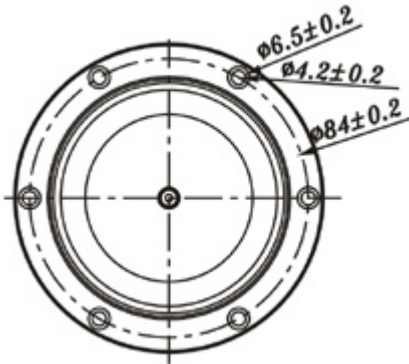
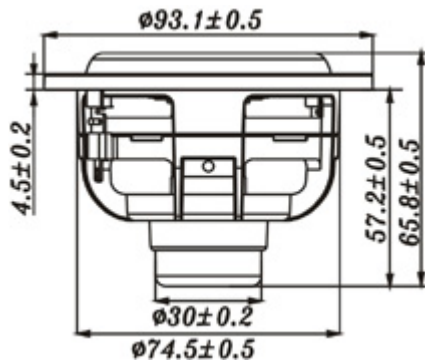


SU SERIES

W3-1876S



3" SUBWOOFER

- 3" OF SMALL SUBWOOFER DESIGN, 20MM OF VC
- LONG THROW OF Xmax=4MM, FO=55Hz
- PATENTED STRUCTURE DESIGN
- NEW MATERIAL APPLIED WITH INJECTION ASSEMBLY PROCESS
- NEO MAGNET MOTOR
- MULTI-MEDIA, HOME HI-FI APPLICATION

DIAPHRAGM MTL	PP
SURROUND MTL	Santoprene
NOMINAL IMPEDANCE	4 W
DCR IMPEDANCE	3.6 W
SENSITIVITY 1W/1m	76 dB
FREQUENCY RESPONSE	55-2 KHz
FREE AIR RESONANCE	55 Hz
VOICE COIL DIAMETER	20.4 mm
AIR GAP HEIGHT	4 mm
RATED POWER INPUT	15 W
MAXIMUM POWER INPUT	30 W
FORCE FACTOR, BL	5.28 TM
MAGNET WEIGHT (oz)	Neodymium
MOVING MASS	9.98 g
FERRO FLUID ENHANCED	No
SUSPENSION COMPL.	737.67 uMN ⁻¹
EFFEC.PISTON AREA	0.0027 M ²
Levc	0.19 mH
Zo	75 ohm
X-max	5 mm
Vas	0.88 Litr.
Qts	0.43
Qms	3.17
Qes	0.50



VOICE:886.2.26570282 FAX:886.2.26580166
E-MAIL :info@tb-speaker.com

CLOSE