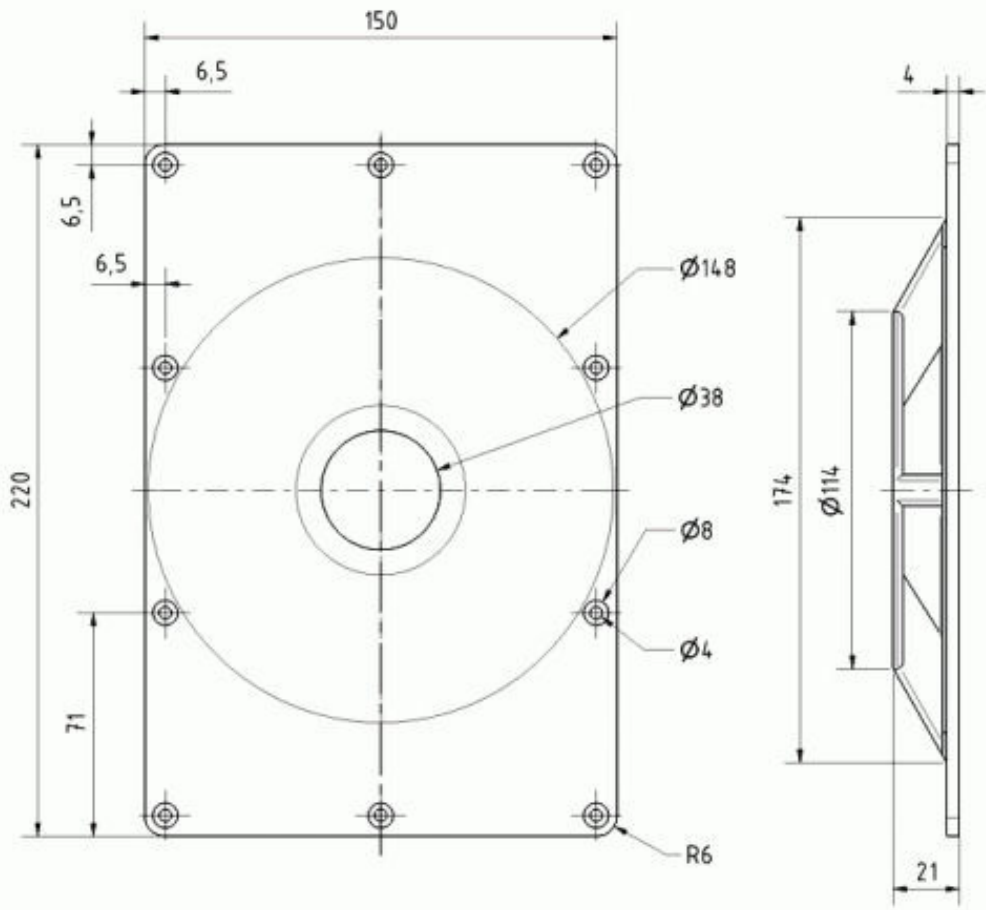


Cutout diameter	125 x 185 mm
Net weight	190 g
Cutout diameter	D = 38 mm



For G25FFL & KE25SC



WG 220x150
0110.10