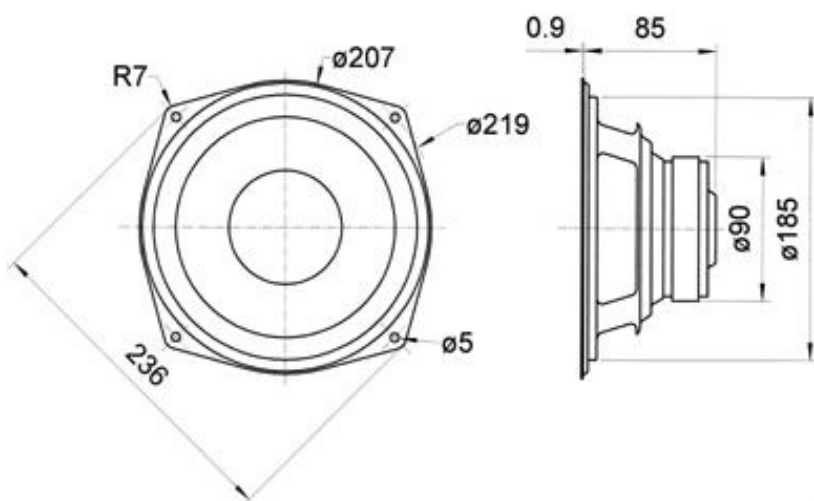


Technical Data

Rated power	80 W
Maximum power	120 W
Nominal impedance Z	8 Ohm
Frequency response	fu-7000 Hz
(fu: Lower cut-off frequency depending on cabinet)	-
Mean sound pressure level	88 dB (1 W/1 m)
Opening angle (-6 dB)	67°/4000 Hz
Excursion limit	+/-6 mm
Resonance frequency fs	47 Hz
Magnetic induction	0,85 T
Magnetic flux	400 µWb
Height of front pole-plate	5 mm
Voice coil diameter	30 mm
Height of winding	11 mm
Cutout diameter	186 mm
Net weight	1,3 kg
D.C. resistance Rdc	6,8 Ohm
Mechanical Q factor Qms	5,36
Electrical Q factor Qes	1,59
Total Q factor Qts	1,23
Equivalent volume Vas	44 l
Effective piston area Sd	240 cm²
Dynamically moved mass Mms	21 g
Force factor Bxl	5,5 T m
Inductance of the voice coil L	1,0 mH
Connections	5,2 x 0,8 mm (+) 2,8 x 0,8 mm (-)



Visaton WS 20 E - 8 Ohm

Frequenzgang und Impedanz

